

# Kingsley Technical Specification

## Grab Bar

## YG5400

### Stock Numbers:

- q **YG5412CH – 12" Grab Bar**  
Chrome Finish
- q **YG5412BN – 12" Grab Bar**  
Brushed Nickel Finish
- q **YG5412ORB – 12" Grab Bar**  
Oil Rubbed Bronze Finish
- q **YG5418CH – 18" Grab Bar**  
Chrome Finish
- q **YG5418BN – 18" Grab Bar**  
Brushed Nickel Finish
- q **YG5418ORB – 18" Grab Bar**  
Oil Rubbed Bronze Finish
- q **YG5424CH – 24" Grab Bar**  
Chrome Finish
- q **YG5424BN – 24" Grab Bar**  
Brushed Nickel Finish
- q **YG5424ORB – 24" Grab Bar**  
Oil Rubbed Bronze Finish
- q **YG5430CH – 30" Grab Bar**  
Chrome Finish
- q **YG5430BN – 30" Grab Bar**  
Brushed Nickel Finish
- q **YG5436CH – 36" Grab Bar**  
Chrome Finish
- q **YG5436BN – 36" Grab Bar**  
Brushed Nickel Finish

### Materials:

Grab Bar posts and bars are aluminum.  
Skirt Rings are brass.

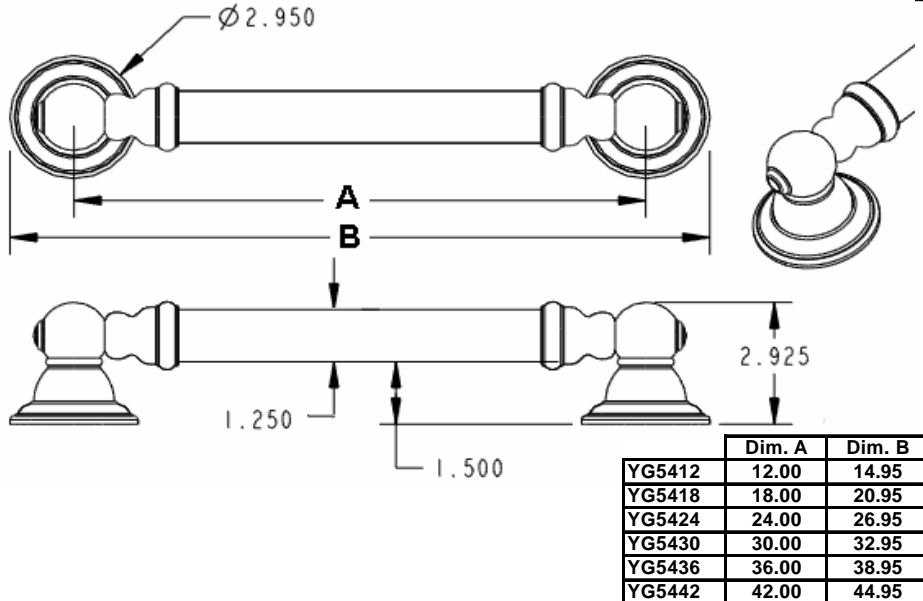
### Compliance:

CSI grab bars meet or exceed the applicable requirements of the following standards:

- ANSI A117.1
- ASTM F446
- CSA B45
- CSA B651

Load Tested to withstand 300 lbs when securely installed per instructions.  
12" long grab bars are intended for vertical installation only.

### Dimensions:



### Installation Instructions:

Tools Required: 1/8" drill bit and drill, Phillips screwdriver, Tape and Level  
Hardware kit contents: 6 screws

1. Please note that all screws must mount into a wood stud.
2. Pull up and slide the skirt ring away from the hub end to expose the mounting screw holes on both hubs.
3. Locate the studs behind the wall by using a stud sensor or another stud locating method. Place the grab bar on the wall where desired so that all the mounting holes are positioned over a wood stud. Use a level if desired to verify placement.
4. With a pencil, mark all six mounting hole locations.
5. Remove the grab bar from the wall and drill 1/8" diameter pilot holes at the six marked screw locations. If desired, apply silicone caulk to the back of the grab bar hubs to guard against water penetration.
6. Mount the grab bar using all 6 of the #10 x 2 1/2" long wood screws provided. Tighten screws until secure.
7. Slide the skirts back into place and press onto the hubs to secure.

Note: Grab bars are to be mounted to a secure surface. Creative Specialties International shall not accept responsibility for any and all damage caused by lack of wall strength or improper installation. It is the responsibility of the architect, builder and installer to ensure that the mounting area is secure and that proper mounting hardware is used for installation.

### Cleaning Instructions:

To preserve the fine finish of this product, clean only with a soft damp cloth. Dry well. Do not use commercial or abrasive cleaners.

**Stock Number:** \_\_\_\_\_ **Grab Bar**  
**By Creative Specialties**



25300 AL MOEN DRIVE • NORTH OLMSTED, OH 44070 (800) 321-8809 •  
FAX: (800) 848-6636 • INTERNATIONAL: (440) 962-2000 •  
FAX: (440) 962-2726 CUSTOMER SERVICE (USA): 800-882-0116  
WWW.CSI.MOEN.COM  
©Copyright CSI Bath Furnishing Division of Moen 2006 Literature #BA1125