



Buy it for looks. Buy it for life.®

# Specifications

## FAUCET DESCRIPTION

- Metal construction with a chrome plated, LifeShine® polished brass, Platinum, Black Opal™, Classic Gold, Satine®, Nickel, Brushed Nickel, chrome/porcelain or glacier finish
- Includes showerhead, arm and flange

## OPERATION

- Handle operates counterclockwise through a 270° arc with off at 6 o'clock and maximum hot at the 9 o'clock position. Shut off in clockwise direction
- Adjustable temperature limit stop to control maximum hot water temperature
- Pressure balancing mechanism maintains selected discharge temperature to ± 2°

## FLOW

- Showerhead limited to 2.5 gpm (9.5 L/min)

## CARTRIDGE

- 1222 cartridge design
- Nonmetallic/nonferrous and stainless steel materials
- Accommodates back to back installations

## STANDARDS

- Third party certified by CSA to meet CSA B-125, ASME A112.18.1M and all applicable requirements referenced therein and complies with the applicable requirements of ANSI A117.1

## WARRANTY

- Lifetime limited warranty against leaks, drips and finish defects to the original consumer purchaser
- 5 year warranty if used in commercial installations



## MONTICELLO® INSPIRATIONS™ POSI-TEMP®

### Single-Handle Tub/Shower (Trim Only)

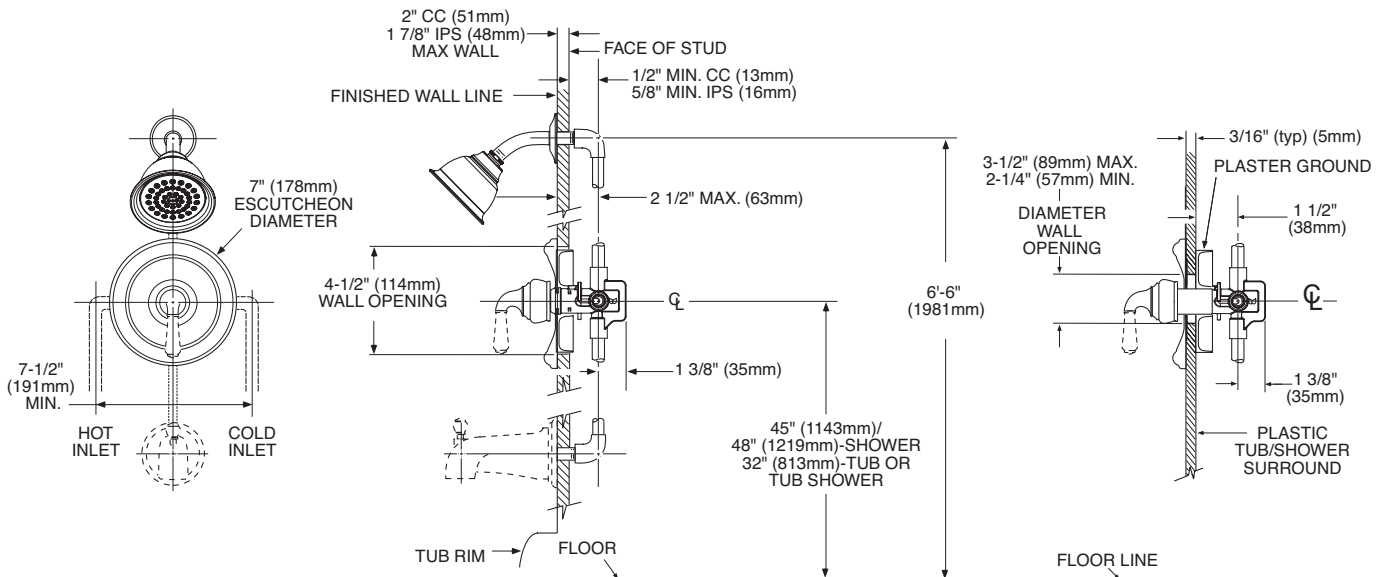
Models: T2345, T2345CP,  
T2345P, T2345W

(Bulk packed 12 per carton)

RT2345/AT2199, RT2345P/AT2199P,  
RT2345PM/AT2199PM,  
RT2345BP/AT2199BP, RT2345CG/AT2199CG,  
RT2345ST/AT2199ST, RT2345NL/AT2199NL

(Packed 1 per carton)

T2444, T2444BN, T2444CP, T2444CPC, T2444P,  
T2444PM, T2444PMC, T2444ST, T2444STP, T2444W  
(Packed 1 per carton)



## THICK WALL APPLICATION

## THIN WALL APPLICATION

## CRITICAL DIMENSIONS

(DO NOT SCALE)