



Buy it for looks. Buy it for life.®

# Specifications

*There is more than 1 version of this model.  
Page down to identify the version you have.*

## FAUCET DESCRIPTION

- Metal construction with various finishes identified by suffix
- Flexible supplies with 3/8" compression fittings
- Includes Protégé side spray

## OPERATION

- Lever style handle
- Temperature controlled by 100° arc of handle travel
- Will operate with less than 5lbs. of force


## FLOW

- Aerator is limited to 2.2 gpm max (8.3 L/min)

## CARTRIDGE

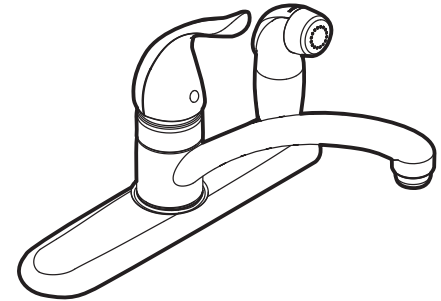
- 1255™ Duralast™ cartridge

## STANDARDS

- Third party certified to: CSA B-125.1, ASME A112.18.1, and all applicable requirements referenced therein including NSF61/9
- Complies with California Proposition 65 and with the Federal Safe Water Drinking Act
- **ADA**  for lever handles

## WARRANTY

- Lifetime limited warranty against leaks, drips and finish defects to the original consumer purchaser
- 5 year warranty if used in commercial installations

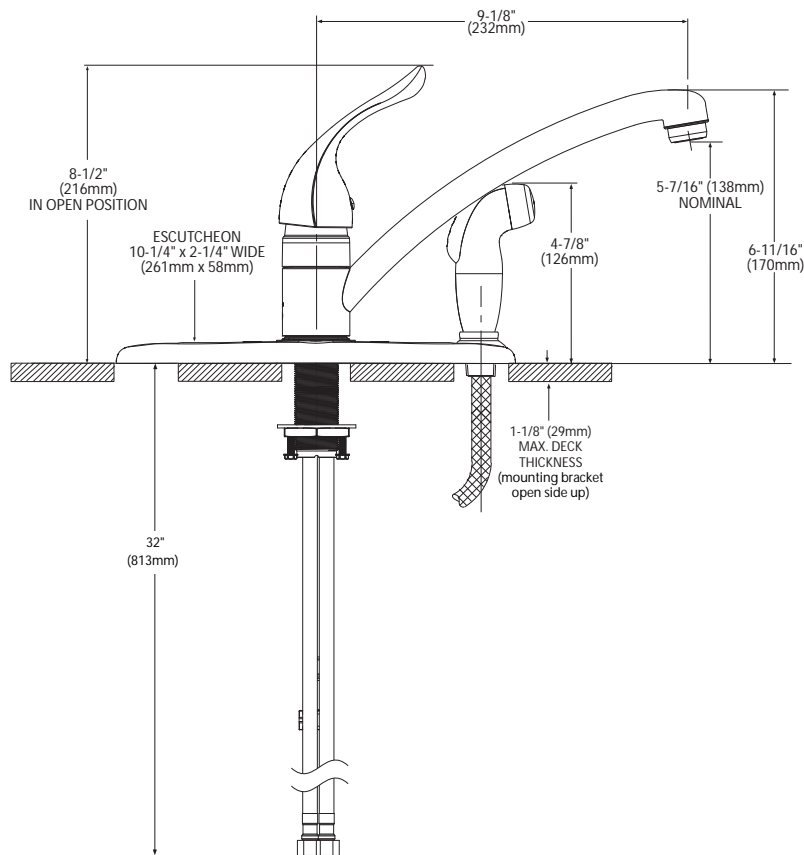


**CHATEAU®**  
**Single-Handle Kitchen Faucet**  
**w/Protégé Side Spray in Deck Plate**

**Models: 7434**

**Bulk Model: 67434**

**NOTE:** DESIGNED TO INSTALL THROUGH 3 HOLES 1-1/4" (32mm) MIN. DIA. AND 4" (102mm) ON CENTER.



## CRITICAL DIMENSIONS

(DO NOT SCALE)



Buy it for looks. Buy it for life.®

# Specifications

## FAUCET DESCRIPTION

- Metal construction with either chrome plated, ivory, decorative glacier or brushed chrome finish
- 1/2" IPS connections will accept standard ball hose connection for 3/8" tubing
- Includes Protégé side spray

## OPERATION

- Lever style handle
- Temperature controlled by 180° arc of handle travel
- Will operate with less than 5lbs. of force

## FLOW

- Aerator is limited to 2.2 gpm max (8.3 L/min)

## CARTRIDGE

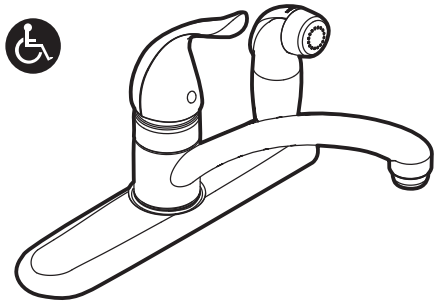
- 1225 cartridge design (not 1200)
- Nonmetallic/nonferrous and stainless steel material

## STANDARDS

- Designed and manufactured to comply with the requirements of: CSA B-125, ASME A112.18.1M, ANSI A117.1 and all applicable requirements referenced therein
- Certified to ANSI/NSF 61/9
- Complies with California Proposition 65 and with the Federal Safe Water Drinking Act

## WARRANTY

- Lifetime limited warranty against leaks, drips and finish defects to the original consumer purchaser
- 5 year warranty if used in commercial installations

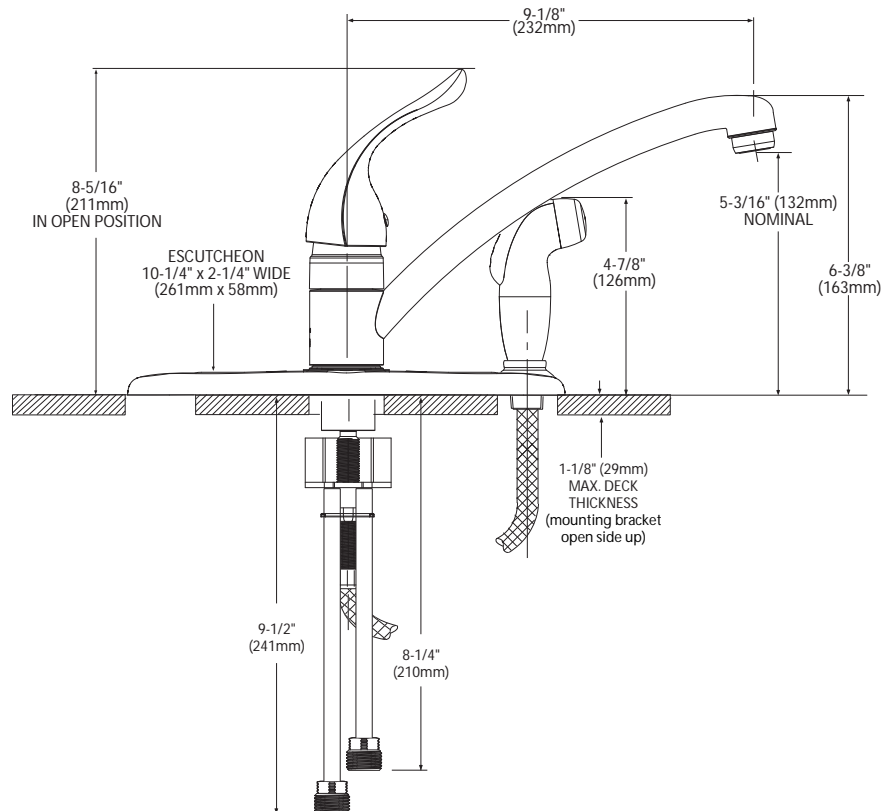


## CHATEAU® Single-Handle Kitchen Faucet w/Protégé Side Spray in Deck Plate

Models: 7434, 7434BC, 7434V, 7434W

**Bulk Model: 67434**  
**(bulk packed 12 per carton)**

**NOTE:** DESIGNED TO INSTALL THROUGH 3 HOLES 1-1/4" (32mm) MIN. DIA. AND 4" (102mm) ON CENTER.



## CRITICAL DIMENSIONS

(DO NOT SCALE)