



FAIRFAX®

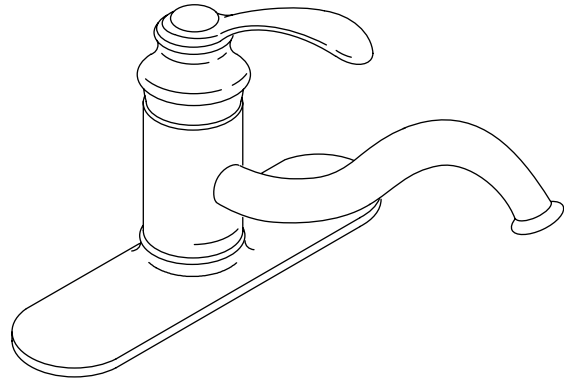
**KITCHEN SINK FAUCET
K-12171**

ALSO K-12172, K-12175, K-12176

ADA

Features

- Metal construction
- One-piece, self-contained ceramic disc valve allows both volume and temperature control
- Temperature memory allows faucet to be turned on and off at any temperature setting
- High-temperature limit stop for added safety
- 9" (22.9 cm) swing spout reach
- 2.2 gallons (8.3 L) per minute
- Lower flow aerator options are available (refer to the Kohler Price Book)
- Available with or without handspray



Codes/Standards Applicable

Specified model meets or exceeds the following:

- ASME A112.18.1
- CSA B125
- IAPMO/UPC
- NSF 61
- Energy Policy Act of 1992 (EPACT)
- ADA

Colors/Finishes

- CP: Polished Chrome
- PB: Polished Brass
- Other: Refer to Price Book for additional colors/finishes

Specified Model:

Model	Description	Colors/Finishes		
K-12171	With 10" (25.4 cm) escutcheon plate; less handspray	<input type="checkbox"/> CP	<input type="checkbox"/> PB	<input type="checkbox"/> Other ____
K-12172	With 10" (25.4 cm) escutcheon plate; with handspray	<input type="checkbox"/> CP	<input type="checkbox"/> PB	<input type="checkbox"/> Other ____
K-12175	With single-hole escutcheon ring; less handspray	<input type="checkbox"/> CP	<input type="checkbox"/> PB	<input type="checkbox"/> Other ____
K-12176	With single-hole escutcheon ring; with handspray	<input type="checkbox"/> CP	<input type="checkbox"/> PB	<input type="checkbox"/> Other ____

Optional Accessory		
K-12001	Plug Button	<input type="checkbox"/> Other ____

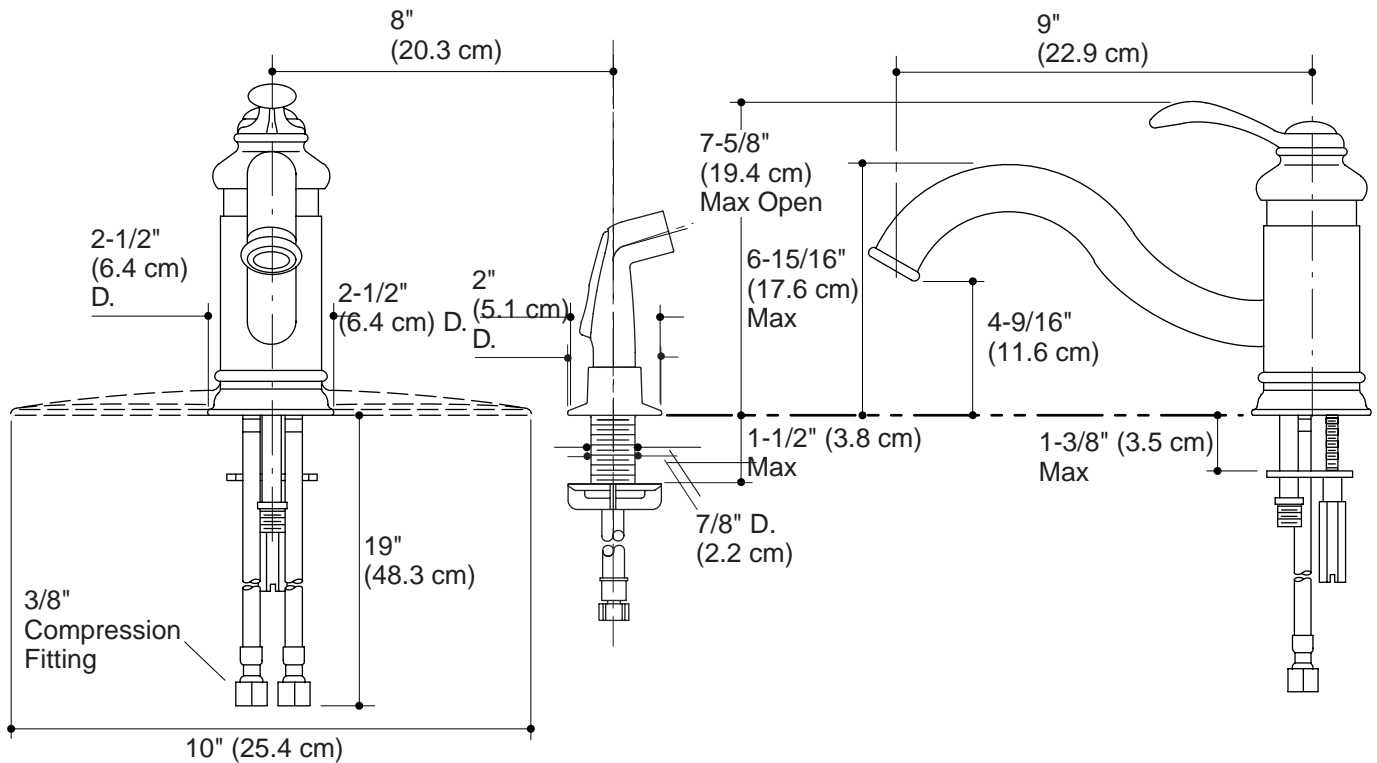
Product Specification

Single-control kitchen sink faucet shall be of metal construction. The valve shall be a one-piece, self-contained ceramic disc valve, and allows both volume and temperature control. The valve shall feature temperature memory, allowing the faucet to be turned on and off at any temperature setting, and includes a high-temperature limit stop. Faucet shall have a 2.2 gallons (8.3 L) per minute flow rate. Product shall have lower flow aerator options. Product shall include 9" (22.9 cm) swing spout and lever handle. Product shall be available with single-hole escutcheon ring or 10" (25.4 cm) escutcheon plate. Product shall be available with or without a handspray. Faucet shall be Kohler Model K-____-_____.

FAIRFAX®

Installation Notes

Install this faucet following the installation instructions provided.



Product Diagram