

KOHLER[®]
 Roughing-In

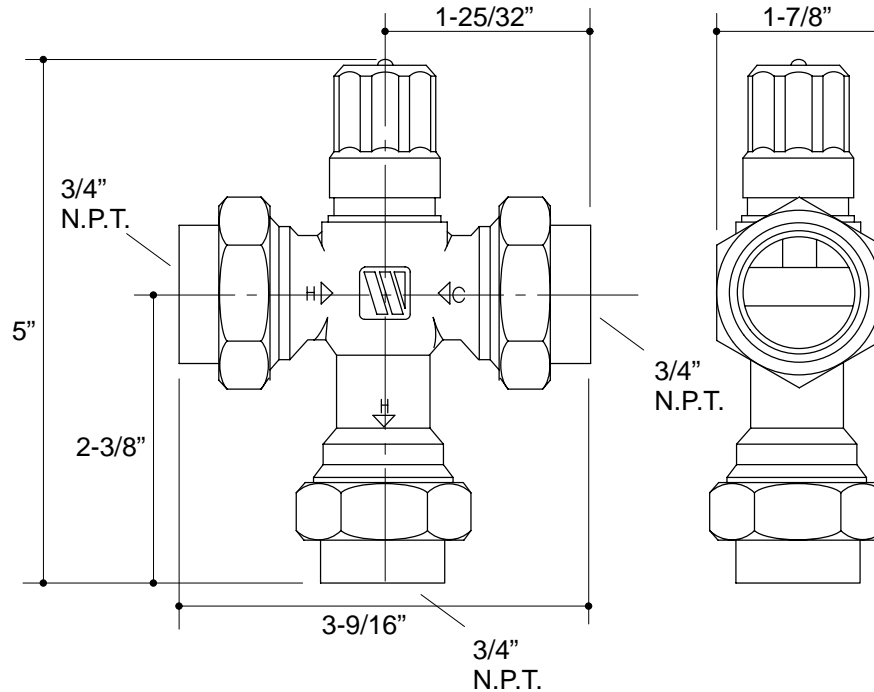
**K-13601
 THERMOSTATIC
 MIXING VALVE**

Ordering Information

Applicable product:	
Mixing valve	K-13601

Product Information

Max. Rating	21 GPM at 48 PSI
Temperature Range	60-120° F
Max Pressure	150 PSI
Min. Pressure	30 PSI
Max. Temperature	225° F (107°C)



12

K-13601 Thermostatic Mixing Valve
 115242-1-BA (-)



NOTES: