



**INVITATION™**

**COUNTERTOP LAVATORY  
K-2098**

ADA

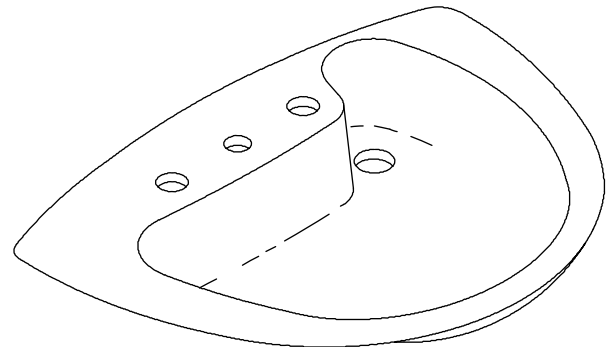
**Features**

- Vitreous china
- Self-rimming
- With overflow
- 8" (20.3 cm) centers (-8), 4" (10.2 cm) centers (-4), or single-hole (-1)
- ADA compliant
- 26-1/4" (66.7 cm) x 20-1/8" (51.1 cm) with 3" (7.6 cm) overhang

**Codes/Standards Applicable**

Specified model meets or exceeds the following:

- ADA
- ASME A112.19.2
- CABO/ANSI A117.1
- IAPMO/UPC
- CSA International



**Colors/Finishes**

- 0: White
- Other: Refer to Price Book for additional colors/finishes

**Accessories:**

- CP: Polished Chrome
- A-NA: White

**Specified Model**

Model	Description	Colors/Finishes	
K-2098-4	4" (10.2 cm) centers lavatory	<input type="checkbox"/> 0 White	<input type="checkbox"/> Other _____
K-2098-8	8" (20.3 cm) centers lavatory	<input type="checkbox"/> 0 White	<input type="checkbox"/> Other _____
K-2098-1	Single-hole lavatory	<input type="checkbox"/> 0 White	<input type="checkbox"/> Other _____
<b>Recommended Accessory</b>			
K-8998	P-Trap	<input type="checkbox"/> CP	
<b>Optional Accessory</b>			
K-6543	36" (91.4 cm) Removable shroud	<input type="checkbox"/> A-NA	

**Product Specification**

The self-rimming lavatory shall be 26-1/4" (66.7 cm) in length and 20-1/8" (51.1 cm) in width, with 3" (7.6 cm) overhang at front of counter. Lavatory shall be made of vitreous china. Lavatory shall have 8" (20.3 cm) centers (-8), 4" (10.2 cm) centers (-4), or single-hole drilling (-1). Lavatory shall include overflow. Lavatory shall be Kohler Model K-2098-\_\_\_\_\_-\_\_\_\_\_.

# INVITATION™

## Technical Information

ADA compliant			
Mexico products have an <b>M</b> after the first sequence of numbers (such as K-12345 <b>M</b> )			
Fixture*:		basin area	water depth
Lavatory		20" (50.8 cm) x 13" (33 cm)	3-1/4" (8.3 cm)
Outlet	1-3/4" D. (4.4 cm)		
* Approximate measurements for comparison only.			

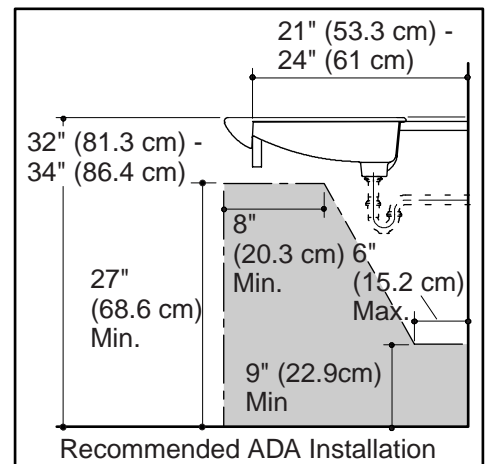
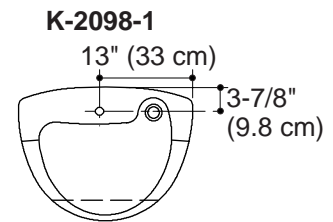
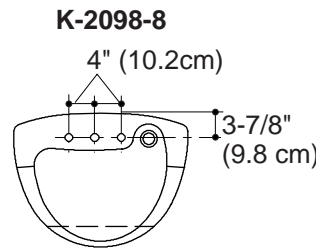
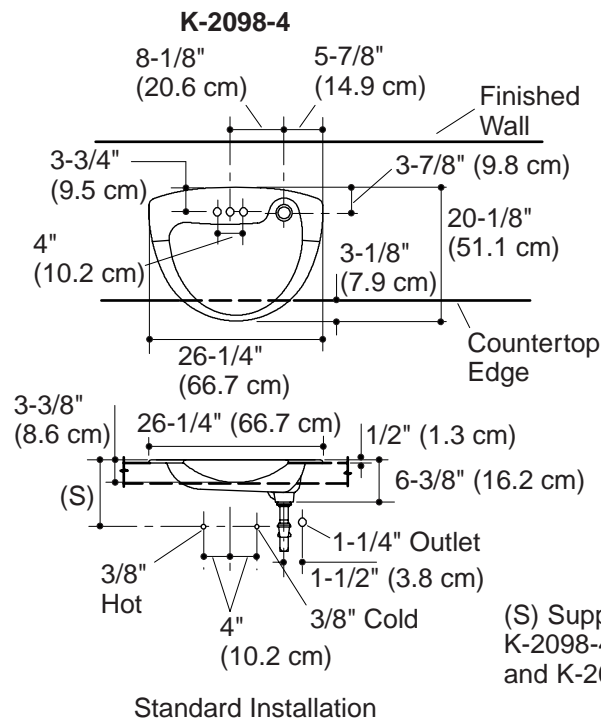
Holes	K-2098-4	K-2098-8	K-2098-1
Spout	1-1/4" D. (3.2 cm)	1-3/8" D. (3.5 cm)	1-3/8" D. (3.5 cm)
Faucet	1-1/4" D. (3.2 cm)	1-3/8" D. (3.5 cm)	

Included Components:	
Cutout template	113500-7

## Installation Notes

Install this product according to the installation guide.

**NOTICE:** Countertop manufacturer or cutter **must** use the cutout template provided with the product, or a current one provided by Kohler Co. (call 1-800-4-KOHLER). Kohler Co. is not responsible for cutout errors when the incorrect cutout template is used.



(S) Supply K-2098.-1 & K-2098-4 = 10" (25.4 cm) and K-2098-8 = 14" (35.6 cm)

## Product Diagram