

KOHLER® Roughing-In

K-2098 INVITATION™ COUNTERTOP LAVATORY

Product Information

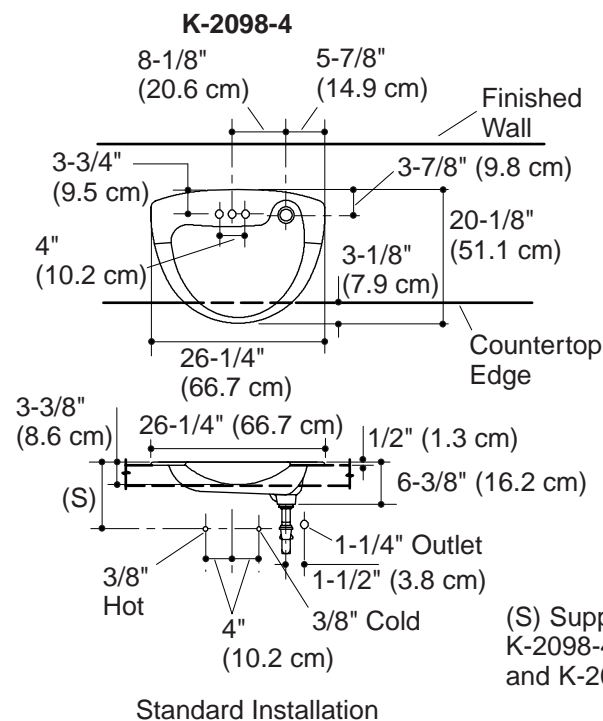
Mexico products have an M after the first sequence of numbers (such as K-12345 M)			
4" (10.2 cm) centers lavatory	K-2098-4	shown	
8" (20.3 cm) centers lavatory	K-2098-8	not shown	
Single-hole	K-2098-1	not shown	
Fixture*:		basin area	
Lavatory		water depth	
Outlet	1-3/4" D. (4.4 cm)		
* Approximate measurements for comparison only.			
Holes	K-2098-4	K-2098-8	K-2098-1
Spout	1-1/4" D. (3.2 cm)	1-3/8" D. (3.5 cm)	1-3/8" D. (3.5 cm)
Faucet	1-1/4" D. (3.2 cm)	1-3/8" D. (3.5 cm)	
Included Components:			
Cutout template		113500-7	

Installation Notes

Install this product according to the installation guide.

NOTICE: Countertop manufacturer or cutter **must** use the cutout template provided with the product, or a current one provided by Kohler Co. (call 1-800-4-KOHLER). Kohler Co. is not responsible for cutout errors when the incorrect cutout template is used.

Fixture dimensions are nominal and conform to tolerances in ASME Standard A112.19.2.



(S) Supply K-2098.-1 & K-2098-4 = 10" (25.4 cm) and K-2098-8 = 14" (35.6 cm)

