

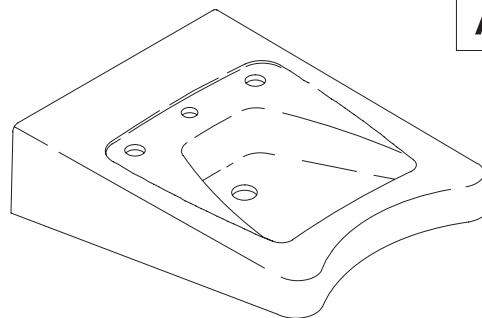


MORNINGSIDE™

WHEELCHAIR LAVATORY

**K-12634, K-12636,
K-12638**

ADA



FEATURES

- 20" (50.8cm) x 27" (68.6cm)
- Vitreous china
- Wall-mount
- 11-1/2" (29.2cm) centers (K-12634), 4" (10.2cm) centers (K-12636), or single-hole (K-12638)
- With overflow
- ADA compliant when installed with K-13885 offset drain
- Drilled for concealed arm carrier
- Optional soap dispenser hole on left (-L) or right (-R)

CODES/STANDARDS APPLICABLE

Specified model meets or exceeds the following:

- ADA
- ASME/ANSI A112.19.2M
- CABO/ANSI A117.1
- IAPMO/UPC
- Canadian Standards Association (CSA)
- State of Massachusetts

SPECIFIED MODEL:

COLORS/FINISHES

- 0 White
- Other Refer to Fixtures Price Book for additional colors

Accessories:

- CP Polished Chrome
- Other Refer to Faucets Price Book for additional finishes

Model	Description	Colors/Finishes	
K-12634	11-1/2" (29.2cm) centers lavatory less soap dispenser hole	<input type="checkbox"/> 0 White	<input type="checkbox"/> Other_____
K-12634-L	11-1/2" (29.2cm) centers lavatory with soap dispenser hole on left	<input type="checkbox"/> 0 White	<input type="checkbox"/> Other_____
K-12634-R	11-1/2" (29.2cm) centers lavatory with soap dispenser hole on right	<input type="checkbox"/> 0 White	<input type="checkbox"/> Other_____
K-12636	4" (10.2cm) centers lavatory less soap dispenser hole	<input type="checkbox"/> 0 White	<input type="checkbox"/> Other_____
K-12636-L	4" (10.2cm) centers lavatory with soap dispenser hole on left	<input type="checkbox"/> 0 White	<input type="checkbox"/> Other_____
K-12636-R	4" (10.2cm) centers lavatory with soap dispenser hole on right	<input type="checkbox"/> 0 White	<input type="checkbox"/> Other_____
K-12638	Single-hole lavatory less soap dispenser hole	<input type="checkbox"/> 0 White	<input type="checkbox"/> Other_____
K-12638-L	Single-hole lavatory with soap dispenser hole on left	<input type="checkbox"/> 0 White	<input type="checkbox"/> Other_____
K-12638-R	Single-hole lavatory with soap dispenser hole on right	<input type="checkbox"/> 0 White	<input type="checkbox"/> Other_____

Recommended Accessories			
K-8998	Trap	<input type="checkbox"/> CP	<input type="checkbox"/> Other_____
K-13711	3/8" I.P.S. supplies	<input type="checkbox"/> CP	<input type="checkbox"/> Other_____
K-13885	Offset drain	<input type="checkbox"/> CP	<input type="checkbox"/> Other_____
32753	Straight tailpiece (pr.)	<input type="checkbox"/> CP	<input type="checkbox"/> Other_____

PRODUCT SPECIFICATION:

The wheelchair lavatory shall be 20" (50.8cm) in length, and 27" (68.6cm) in width. Lavatory shall be made of vitreous china. Lavatory shall have 11-1/2" (29.2cm) centers (K-12634), 4" (10.2cm) centers (K-12636), or single-hole (K-12638). Lavatory shall have overflow. Lavatory shall be ADA compliant when installed with K-13885 offset drain. Lavatory shall be drilled for concealed arm carrier. Lavatory shall have optional soap dispenser hole on left (-L) or right (-R). Lavatory shall be Kohler Model K-_____ - _____ - _____.

MORNINGSIDE™

PRODUCT INFORMATION

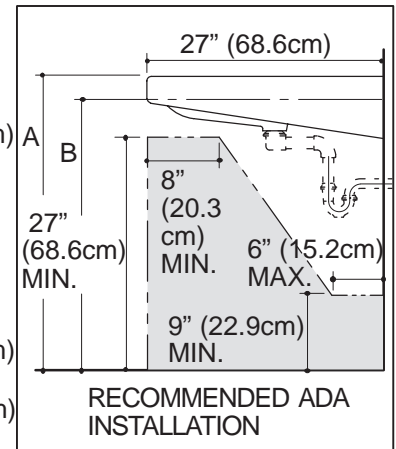
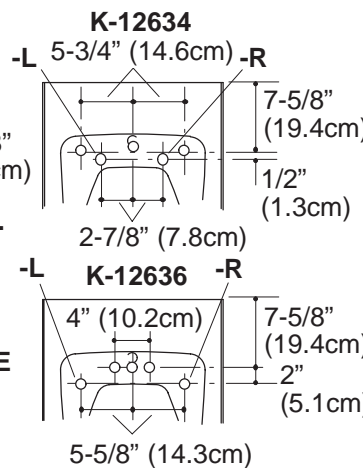
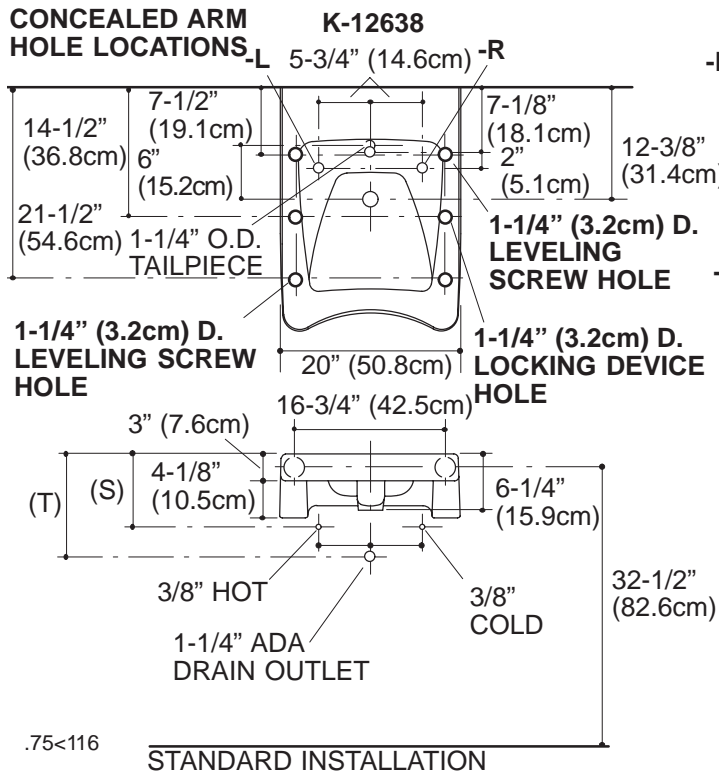
ADA compliant when installed with K-13885 offset drain.			
Fixture*:		basin area	water depth
Lavatory		14" (35.6cm) x 13" (33cm)	2-5/8" (6.7cm)
Drain hole	1-3/4" D. (4.4cm)		
* Approximate measurements for comparison only.			
Holes	K-12634	K-12636	K-12638
Spout	1-3/8" D. (3.5cm)	1-1/4" D. (3.2cm)	1-3/8" D. (3.5cm)
Faucet	1-3/8" D. (3.5cm)	1-1/4" D. (3.2cm)	
Soap dispenser			1-1/4" D. (3.2cm)

INSTALLATION NOTES

Install this product according to the installation guide.

Fixture dimensions are nominal and conform to tolerances in ASME Standard A112.19.2M.

Concealed arm carrier required, **NOT** supplied by Kohler Co.



ADA rim height = A	ADA arm carrier height = B
34" (86.4cm) Max.	32-1/4" (81.9cm) Max.
(T) Grid drain 12" (30.5cm)	
(S) 8-1/8" (20.6cm) (Based on rigid supply).	

PRODUCT DIAGRAM