

KOHLER[®] Roughing-In

K-12634, K-12636, K-12638 MORNINGSIDE™ VITREOUS CHINA WHEELCHAIR LAVATORY

Product Information

Single-hole lavatory	K-12638	shown	
soap dispenser on left	K-12638-L		
soap dispenser on right	K-12638-R		
11-1/2" centers lavatory	K-12634	not shown	
soap dispenser on left	K-12634-L		
soap dispenser on right	K-12634-R		
4" centers lavatory	K-12636	not shown	
soap dispenser on left	K-12636-L		
soap dispenser on right	K-12636-R		
ADA compliant when installed with K-13885 offset drain.			
Fixture*:		basin area	water depth
Lavatory		14" (35.6cm) x 13" (33cm)	2-5/8" (6.7cm)
Drain hole	1-3/4" D. (4.4cm)		
* Approximate measurements for comparison only.			

Product Information

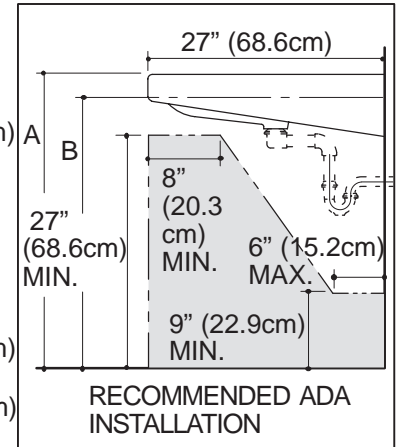
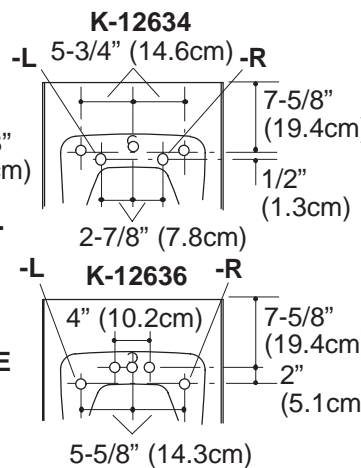
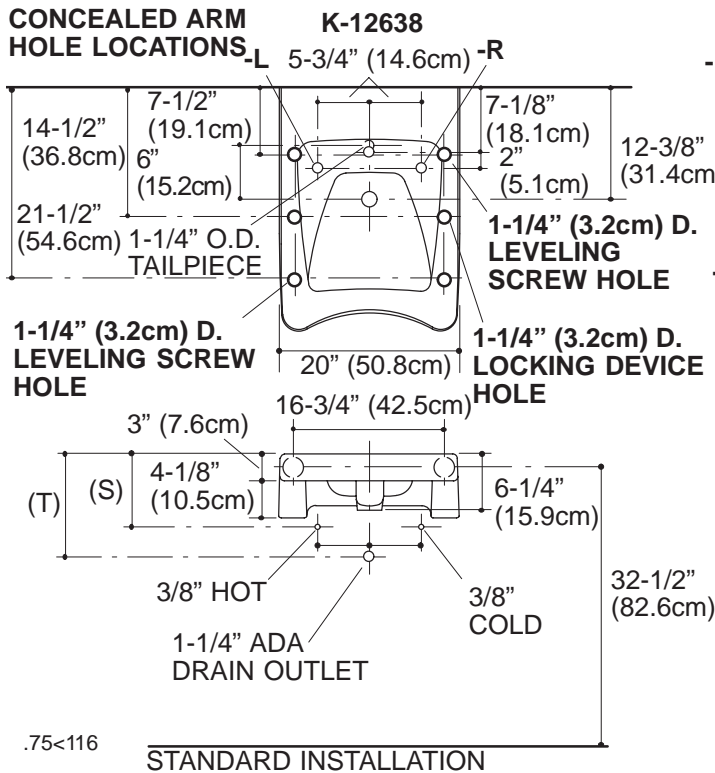
Holes	K-12634	K-12636	K-12638
Spout	1-3/8" D. (3.5cm)	1-1/4" D. (3.2cm)	1-3/8" D. (3.5cm)
Faucet	1-3/8" D. (3.5cm)	1-1/4" D. (3.2cm)	
Soap dispenser			1-1/4" D. (3.2cm)

Installation Notes

Install this product according to the installation guide.

Fixture dimensions are nominal and conform to tolerances in ASME Standard A112.19.2M.

Concealed arm carrier required, **NOT** supplied by Kohler Co.



ADA rim height = A	ADA arm carrier height = B
34" (86.4cm) Max.	32-1/4" (81.9cm) Max.
(T) Grid drain 12" (30.5cm)	
(S) 8-1/8" (20.6cm) (Based on rigid supply).	

K-12634, K-12636, K-12638 Morningside™ Lavatory
105307-1-DB

KOHLER[®]