

KOHLER®

INSTALLATION INSTRUCTIONS

SITZ BATH ACCESSORIES

BEFORE YOU BEGIN

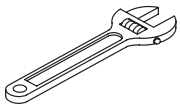
NOTES

- Shut off the main water supply.
- Observe all local plumbing and building codes.
- Refer to Sitz Bath roughing-in sheet for dimensional information.
- Kohler Co. reserves the right to make revisions in the design of faucets without notice, as specified in the Price Book.

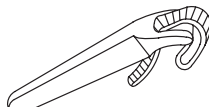


CAUTION: Risk of personal injury or product damage. Handle with care. Vitreous china can break or chip if nuts are over tightened, or if the product is handled carelessly.

TOOLS AND MATERIALS RECOMMENDED



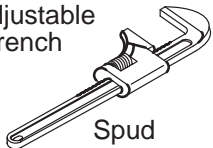
Adjustable Wrench



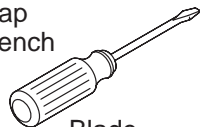
Strap Wrench



Sealant Tape



Spud Wrench



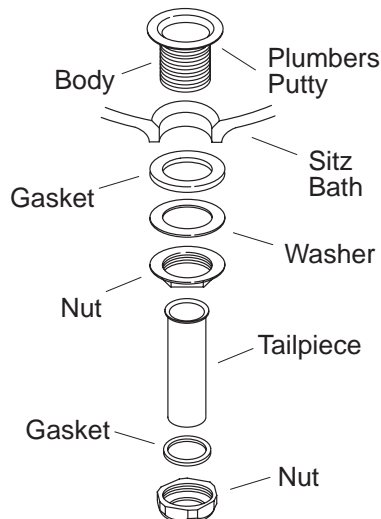
Blade Screwdriver



BATH DRAIN AND TRAP INSTALLATION

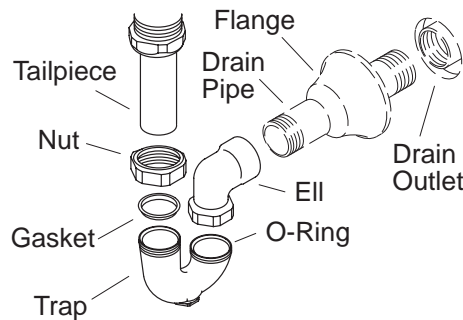
K-13128 Bath drain with trap.

- Disassemble the drain components.
- Apply a ring of plumbers putty to the underside of the body, and insert the body into the Sitz bath drain hole.
- Slide the gasket and washer onto the body, and tighten nut securely.
- Slide gasket up to flange on top of tailpiece.
- Place nut over tailpiece, and tighten securely to body.

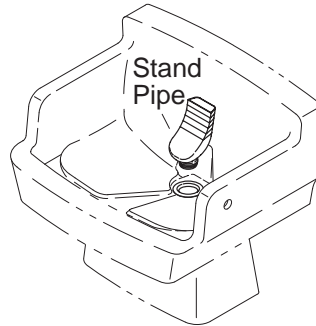


NOTE: Dash lines indicate components supplied by others.

- Disassemble trap components, being careful not to lose the O-ring in the trap on the ell end.
- Use thread sealant where applicable.
- Thread one end of 1-1/2" N.P.T. drain pipe into drain outlet and slide flange back to wall, to cover the drain outlet.
- Thread ell onto other end of drain pipe, with ell pointing down.
- Slide nut and gasket (tapered end down) over tailpiece.
- Insert trap up over tailpiece, aligning other end of trap with ell at the same time.
- Tighten nuts on tailpiece and ell to trap securely.



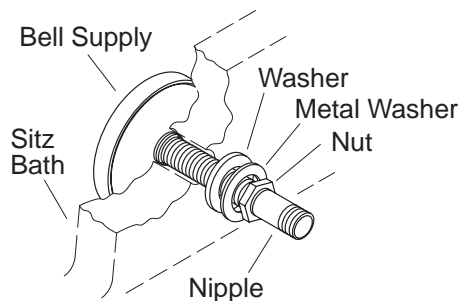
- Firmly push stand pipe down into drain body.



BELL SUPPLY AND FLANGE INSTALLATION

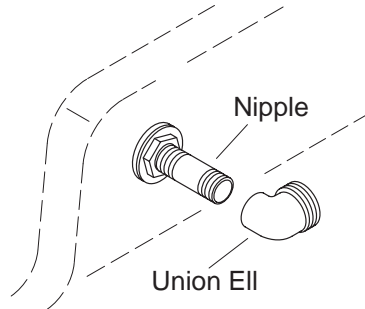
K-13023 Bell supply and flange.

- Disassemble the supply components.
- Use thread sealant where applicable.
- Thread nut onto long threaded end of nipple, followed by metal washer and washer.
- Insert nipple through hole in side wall of sitz bath and thread into bell supply.
- Tighten nut on nipple, to firmly hold bell supply to sitz bath. Make sure slot on the bell supply is facing down.

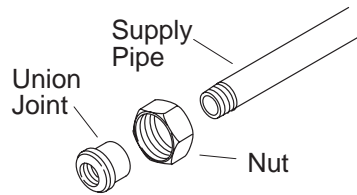




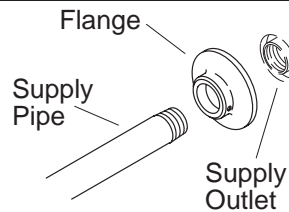
- Thread union ell onto short threaded end of nipple.
- Make sure union ell is facing toward the wall.



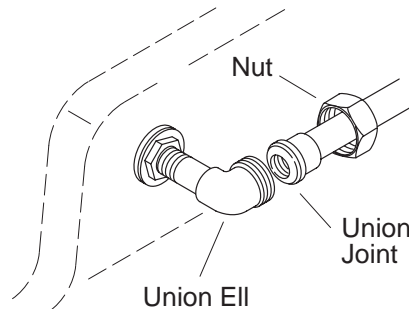
- Slide nut, with threads facing out, over one end of supply pipe and thread on union joint.



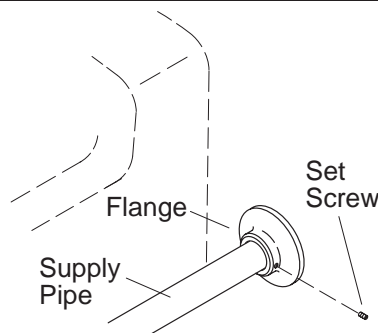
- Slide flange over other end of supply pipe and thread supply pipe into supply outlet in wall.



- Align union joint into union ell, and tighten nut securely



- Slide flange back to wall to cover the supply outlet.
- Secure flange to supply pipe with set screw.





INSTALLATION CHECKOUT

- | |
|--|
| <ul style="list-style-type: none">• Turn on main water supply.• Run water for about a minute to remove any debris.• Check all connections for leaks. |
|--|

CALL US FOR HELP – 1-800-4-KOHLER
--

REQUESTING SERVICE

Here's what you need to do if you require service:

First review the installation instructions to ensure correct installation. If you are still unable to correct the problem, call our Customer Service Department for direct help. Dial **1-800-4-KOHLER**.