

**KOHLER**<sup>®</sup>  
 Roughing-In

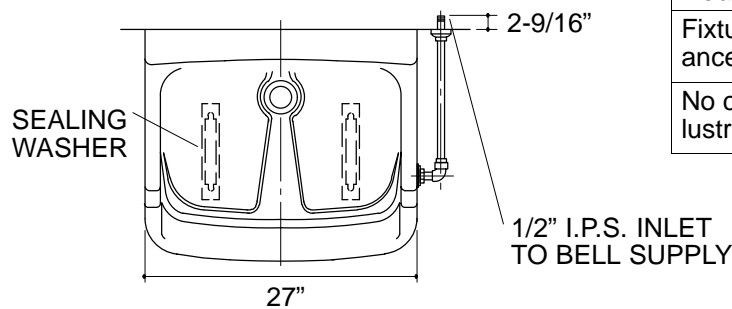
**K-12515  
 BROOKHAVEN™  
 VITREOUS CHINA SITZ BATH WITH BASE AND FITTINGS**

**Ordering Information**

Accessories/hardware:		
Pedestal	K-12517	required*
Bell supply	K-13023	required*
Drain and trap	K-13128	required*
* Required for configuration illustrated.		

**Installation Notes**

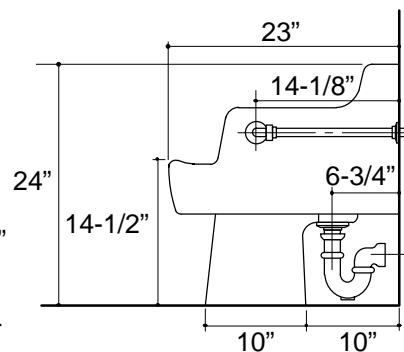
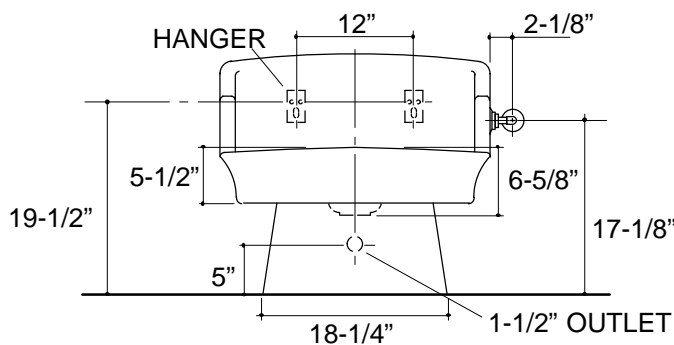
Pedestal must be attached to sitz bath before installation to hangers.



**Roughing-In Notes**

Fixture dimensions are nominal and conform to tolerances in ANSI Standard A112.19.2.

No change in measurements if connected with drain illustrated.



364

**K-12515** Brookhaven™ Sitz Bath  
 105304-BA (0893)



**NOTES:**