

KOHLER[®]

INSTALLATION INSTRUCTIONS

EDGEBROOK™ DRINKING FOUNTAIN

BEFORE YOU BEGIN

- Observe all local plumbing and building codes.
- Inspect the waste and supply tubing; replace if necessary.
- Prior to installation, unpack the drinking fountain and inspect it for damage. Return the drinking fountain to its protective carton until you are ready to install it.

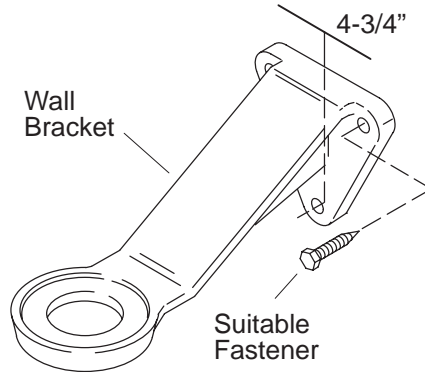
TOOLS AND MATERIALS

- Thread sealant
- Slotted screwdriver
- Strap wrench
- Plumbers putty
- Assorted wrenches
- Suitable fasteners

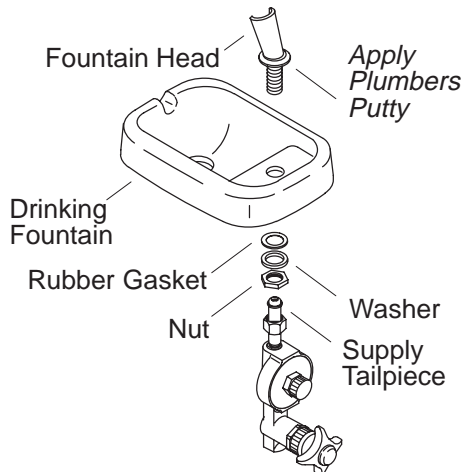
INSTALL THE DRINKING FOUNTAIN

- Use suitable fasteners (not supplied) to install the wall bracket to a reinforced area of the wall according to the roughing-in information. Refer to the roughing-in notes to determine the correct height for your installation.

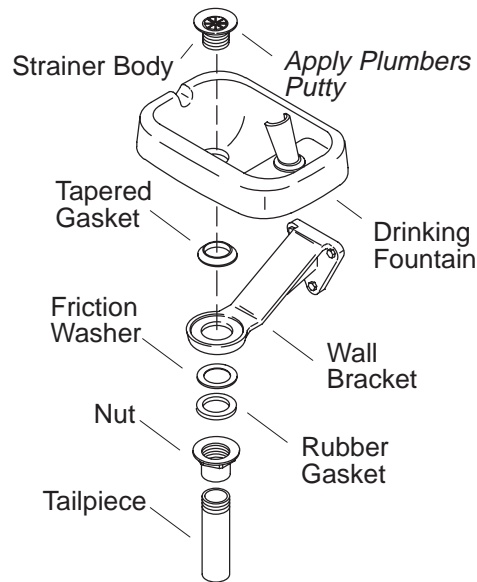
NOTE: Locate the fastener hole in the bottom of the wall bracket **exactly** 4-3/4" down from the desired drinking fountain height.



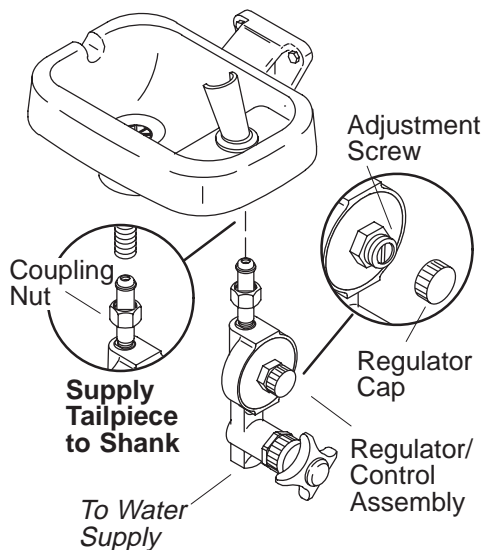
- Loosen the supply tailpiece and remove the fountain head assembly.
- Remove the nut, washer, and rubber gasket from the fountain head shank.
- Apply a bead of plumbers putty to the fountain head flange, and insert the fountain head into the drinking fountain hole. Install the rubber gasket, washer, and nut to the fountain head shank. Position the fountain head as desired, and securely tighten the nut.
- Remove any excess putty.



- Apply a bead of plumbers putty to the strainer body flange, and insert the strainer body into the drinking fountain drain hole.
- Fit the tapered gasket onto the strainer body shank.
- Position the drinking fountain on the wall bracket, and assemble the friction washer, rubber gasket, and nut on the strainer body shank. Tighten the nut securely. Remove any excess putty.
- Apply thread sealant to the tailpiece threads, and install the tailpiece to the nut. Tighten with a clean strap wrench.
- Make your drain connections.



- Connect the regulator and control assembly to the water supply.
- Connect the supply tailpiece to the fountain head shank with the coupling nut, and tighten.
- Turn on the water supply, and check for leaks.
- Turn the control handle to open. Adjust the water volume, if necessary, by first removing the regulator cap. Then use a slotted screwdriver to turn the adjustment screw clockwise to decrease the water volume, or counterclockwise to increase the volume.
- Re-install the regulator cap.



CALL US FOR HELP – 1-800-4-KOHLER

REQUESTING SERVICE

Here's what you need to do if you require service:

First review the installation instructions to ensure correct installation. If you are unable to correct the problem, call our Customer Service Department for direct help. Dial **1-800-4-KOHLER**.