



**DYNAMETRIC™**

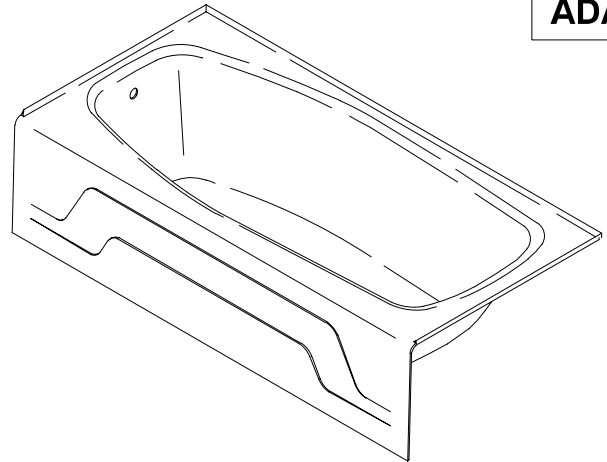
**5.5 BATH**

**K-515, K-516**

**ADA**

**FEATURES**

- 66" x 32" x 16-1/4"
- Cast iron with Safeguard® finish
- Left or right outlet
- ADA compliant when installed with seat at head end



**CODES/STANDARDS APPLICABLE**

Specified model meets or exceeds the following:

- ADA
- ASME/ANSI A112.19.1M
- CABO/ANSI A117.1
- IAPMO/UPC
- Canadian Standards Association (CSA)
- State of Massachusetts

**COLORS/FINISHES**

- 0 White
- Other Refer to Fixtures Price Book for additional colors

**Accessories:**

- CP Polished Chrome
- PB Polished Brass
- Other Refer to Faucets Price Book for additional finishes

**SPECIFIED MODEL:**

Model	Description	Colors/Finishes	
K-515	Bath with outlet at left	<input type="checkbox"/> 0 White	<input type="checkbox"/> Other_____
K-516	Bath with outlet at right	<input type="checkbox"/> 0 White	<input type="checkbox"/> Other_____

Recommended Accessories			
K-7160-TF	Drain	<input type="checkbox"/> CP	<input type="checkbox"/> PB <input type="checkbox"/> Other_____

**PRODUCT SPECIFICATION:**

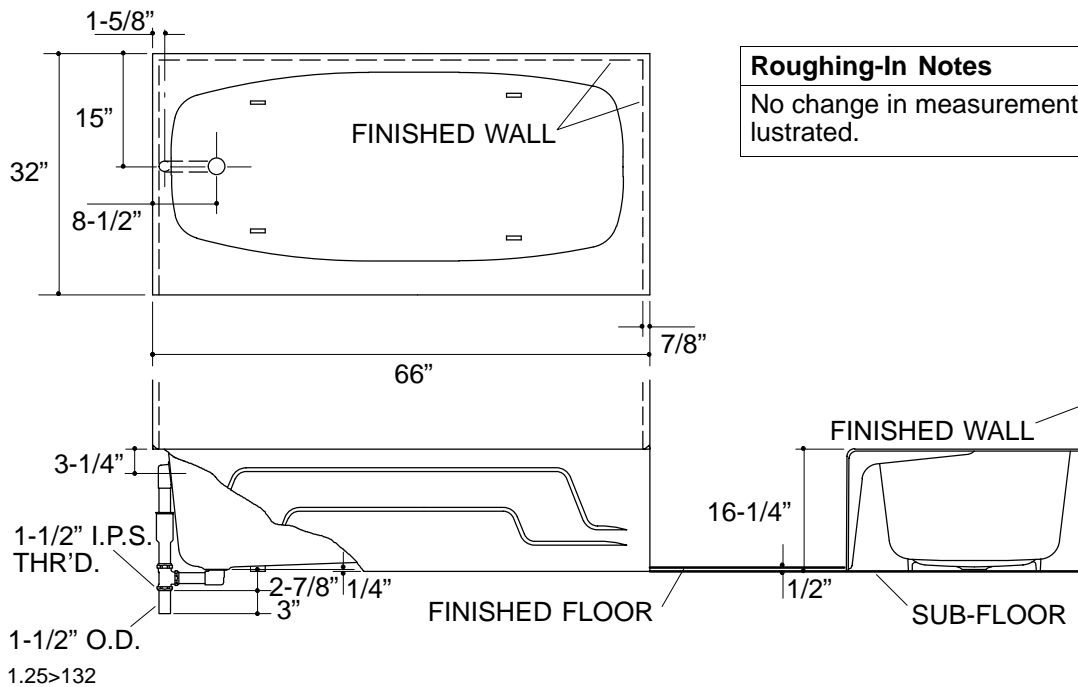
The bath shall be 66" in length, 32" in width, and 16-1/4" in height. Bath shall be made of cast iron with Safeguard® finish. Bath shall have an outlet at left or right. Bath shall be ADA compliant when installed with seat at head end. Bath shall be Kohler Model K-\_\_\_\_\_-\_\_\_\_\_.

# DYNAMETRIC™

## PRODUCT INFORMATION

Fixture*:	basin area	top area	weight
Bathing well	47" x 22"	60" x 25"	376 lbs.
	water depth	capacity	
To overflow	10-7/8"	47 gal.	

\* Approximate measurements for comparison only.



### Roughing-In Notes

No change in measurements if connected with drain illustrated.

## PRODUCT DIAGRAM

K-515, K-516 Dynametric™ Recess Bath

Page 2 of 2

105007-4-BA (A)

