

KOHLER® Roughing-In

K-3505
WELLWORTH™
PRESSURE-LITE™ TOILET

Product Information

Fixture:	
Configuration	2-piece, elongated
Water per flush	1.4 gallons (5.3 L)
Passageway	2-1/4" (5.7 cm)
Water area	12" (30.5 cm) x 10" (25.4 cm)
Water depth from rim	5-5/8" (14.3 cm)
Seat post hole centers	5-1/2" (14 cm)
Minimum static pressure required	20 psi (137.9 kPa)
Maximum static pressure	80 psi (551.6 kPa)

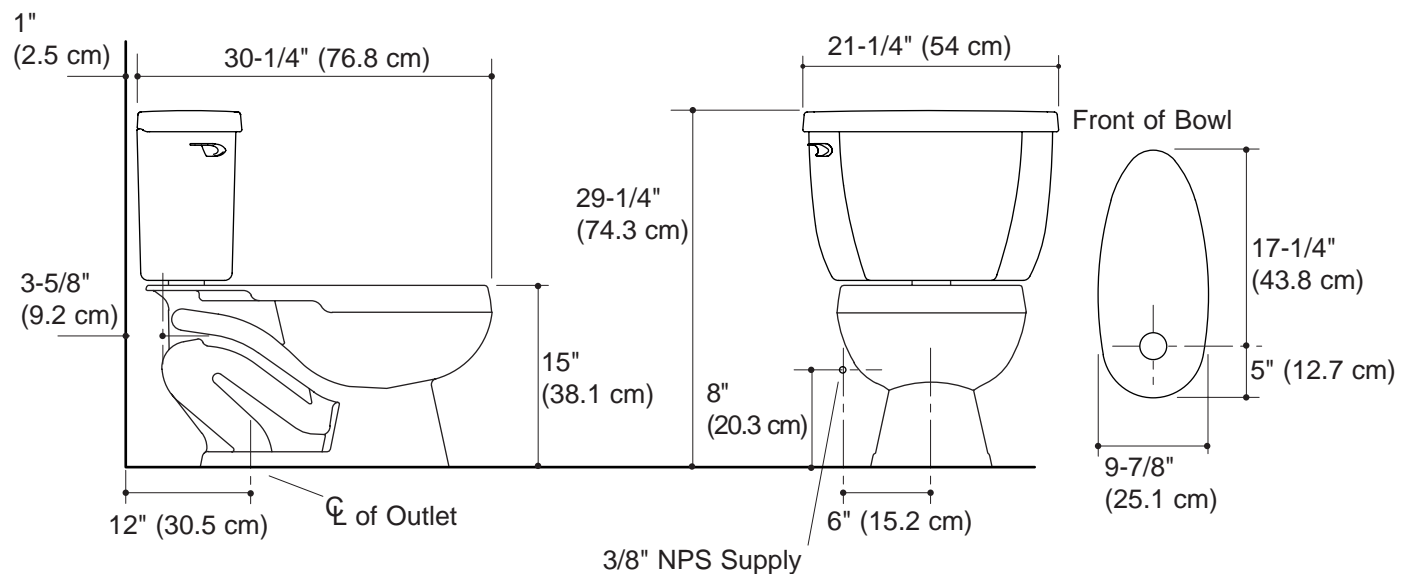
Included Components*:	
Bowl	K-4303
Tank	K-4645
Tank cover	1036375
Bolt cap accessory pack	52048
Tank accessory pack	73062
Trip lever, left hand	K-9481-L
Trip lever, right hand	K-9481-R
*Equipped with Sloan Flushmate™ – Sloan Valve Company	

Installation Notes

Install this product according to the installation guide.

For back-to-back installations, the toilet shall be connected to the vertical stack using one of the three following fittings: double fixture fitting, double combination wye and 1/8 bends, or double wye and 1/8 bends.

Fixture dimensions are nominal and conform to tolerances in ASME Standard A112.19.2.



WELLWORTH™ PRESSURE-LITE™ TOILET
1044956-1-A

KOHLER®