



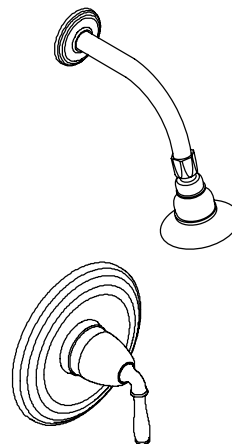
DEVONSHIRE™ RITE-TEMP™

**PRESSURE-BALANCING
BATH/SHOWER VALVE TRIM
K-T396
ALSO K-T397**

ADA

Features

- Metal construction
- Brass valve bodies
- Rite-Temp pressure-balancing diaphragm design valve
- High-temperature limit stop for added safety
- Pressure-balancing mechanism of one-piece diaphragm cartridge design for ease of maintenance
- Mixing valve cycles from "cold" to "hot"
- Lever handle(s)
- Intended for use with Rite-Temp or HiFlow Rite-Temp valves



Codes/Standards Applicable

Specified model meets or exceeds the following:


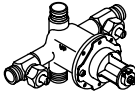

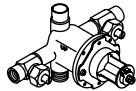
- ASME A112.18.1
- ASSE 1016
- CSA B125
- IAPMO/UPC

Colors/Finishes

- CP: Polished Chrome
- Other: Refer to Price Book for additional colors/finishes

Specified Model

Separate Trim and Rite-Temp Valve: For complete valve, both valve trim and Rite-Temp valve must be specified.				
Model	Description	Colors/Finishes		
K-T396-4	Shower and valve trim, without spout	<input type="checkbox"/> CP	<input type="checkbox"/> PB	<input type="checkbox"/> Other _____
K-T397-4	Valve trim only, without spout	<input type="checkbox"/> CP	<input type="checkbox"/> PB	<input type="checkbox"/> Other _____

Required Accessory					
K-304-K	Rite-Temp valve without stops, NPT connections	<input type="checkbox"/> NA			
K-304-KS	Rite-Temp valve with stops, NPT connections		<input type="checkbox"/> NA		
K-306-KS	HiFlow Rite-Temp valve with integral stops, NPT connections			<input type="checkbox"/> NA	
K-304-KP	Rite-Temp valve with PVC connections				<input type="checkbox"/> NA

Product Specification

Rite-Temp pressure-balancing single-control bath and shower valve shall be of metal construction. Valve shall feature a brass valve body. The valve shall mix the water from the "off" position, though the "cold" to the "hot", and includes a high-temperature limit stop. The pressure-balancing mechanism shall be of one-piece diaphragm cartridge design for ease of maintenance. Shower only valve shall include showerhead with arm and flange, and faceplate with handle. Valve only trim shall include faceplate with handle. Separate trim and valve shall be Kohler Model K-T____-____-____ with K-304-____-NA Rite-Temp valve OR K-306-KS-NA HiFlow Rite-Temp valve.

DEVONSHIRE™ RITE-TEMP™

Technical Information

Optional Accessories	
5-1/4" (13.3 cm) diverter spout with 1/2" NPT connections, in matching colors	K-373
5-1/4" (13.3 cm) diverter spout with slip-fit connection, in matching colors	K-373-S
5-1/4" (13.3 cm) diverter spout with 1/2" NPT connections, in matching colors	K-389
5-1/4" (13.3 cm) diverter spout with slip-fit connection, in matching colors	K-389-S
HiFlow Rite-Temp thin wall installation kit*	88526
* Required when using the K-306-KS valve in a fiberglass or acrylic installation.	

Installation Notes

WARNING: Risk of damage to the K-306-KS valve assembly. When using the K-306-KS valve in a fiberglass or acrylic installation, use the thin wall installation kit (88526).

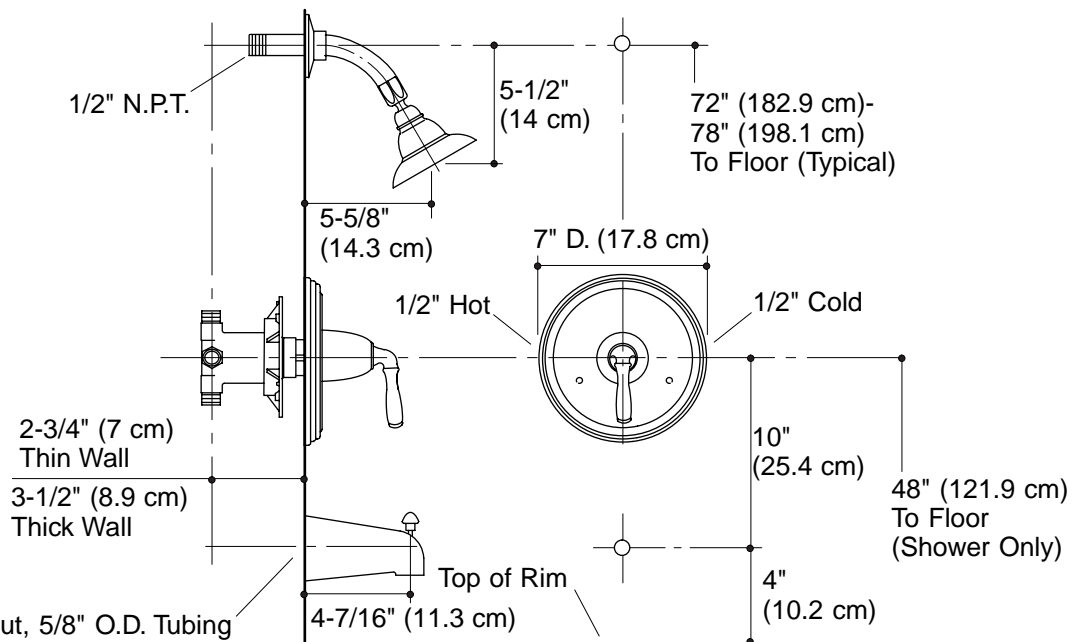
Install this product according to the installation guide.

Install the Rite-Temp valve according to the valve installation guide.

Avoid cross-flow conditions. Do not install shut-off device on either valve outlet.

Cap shower outlet if deck-mounted spout, diverter, or handshower is connected to the spout outlet.

Install straight pipe or tube drop of 7" (17.8 cm) to 18" (45.7 cm) with single elbow between valve and wall-mount spout, if used.



For Slip-Fit Spout, 5/8" O.D. Tubing Must Extend 1-1/2" (3.8 cm) Min.; 2-7/8" (7.3 cm) Max. Beyond Finished Wall.

Complete Bath and Shower Faucet with Rite-Temp Valve and Slip-Fit Diverter Spout Shown.

Product Diagram