

KOHLER® Roughing-In

K-T396, K-T397 DEVONSHIRE™ RITE-TEMP™ PRESSURE-BALANCING BATH/SHOWER VALVE TRIM

Product Information

Applicable valve:	
Shower and valve trim with K-304-K Rite Temp valve (shown)*	K-R396-4
Valve trim only with selected Rite-Temp valve (not shown)*	K-T397-4
*Rite-Temp valve must be ordered to complete faucet.	

Applicable Rite-Temp valve:		
Rite-Temp valve without stops	K-304-K	shown
Rite-Temp valve with stops	K-304-KS	not shown
Rite-Temp valve with PVC connections	K-304-KP	not shown
HiFlow Rite-Temp valve with integral stops	K-306-KS	not shown

Lever handles are ADA compliant ADA

Installation Notes

WARNING: Risk of damage to the K-306-KS valve assembly. When using the K-306-KS valve in a fiberglass or acrylic installation, use the thin wall installation kit (88526).

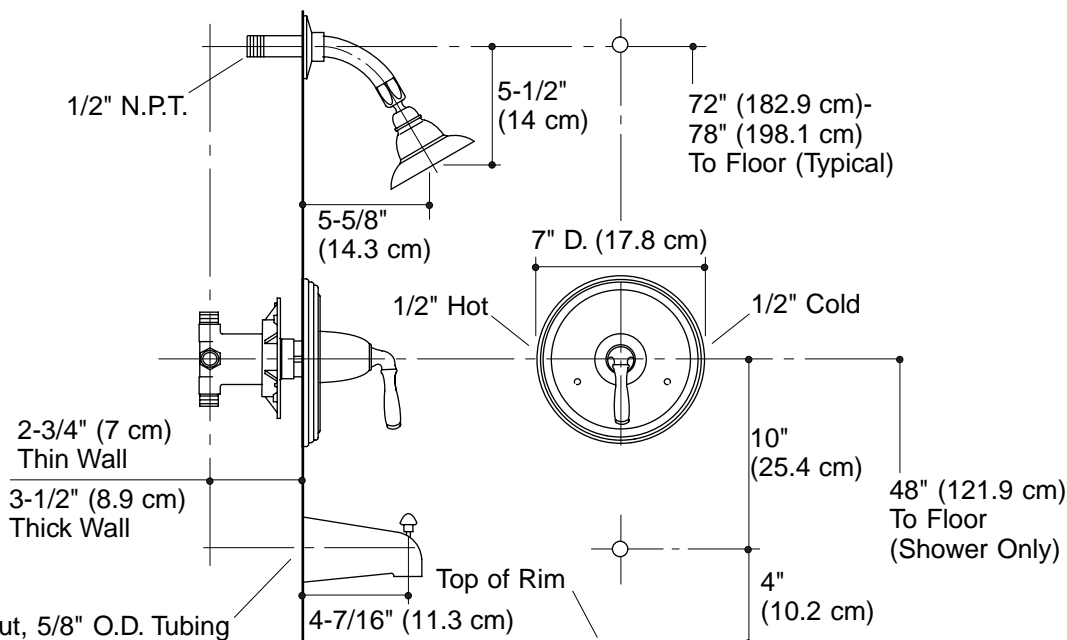
Install this product according to the installation guide.

Install the Rite-Temp valve according to the valve installation guide.

Avoid cross-flow conditions. Do not install shut-off device on either valve outlet.

Cap shower outlet if deck-mounted spout, diverter, or handshower is connected to the spout outlet.

Install straight pipe or tube drop of 7" (17.8 cm) to 18" (45.7 cm) with single elbow between valve and wall-mount spout, if used.



For Slip-Fit Spout, 5/8" O.D. Tubing Must Extend 1-1/2" (3.8 cm) Min.; 2-7/8" (7.3 cm) Max. Beyond Finished Wall.

Complete Bath and Shower Faucet with Rite-Temp Valve and Slip-Fit Diverter Spout Shown.