

KOHLER[®] Roughing-In

K-T948, K-T949, K-T950, K-951, K-952, K-304, K-305 STILLNESS™ RITE-TEMP™ PRESSURE-BALANCING FAUCETS

Product Information

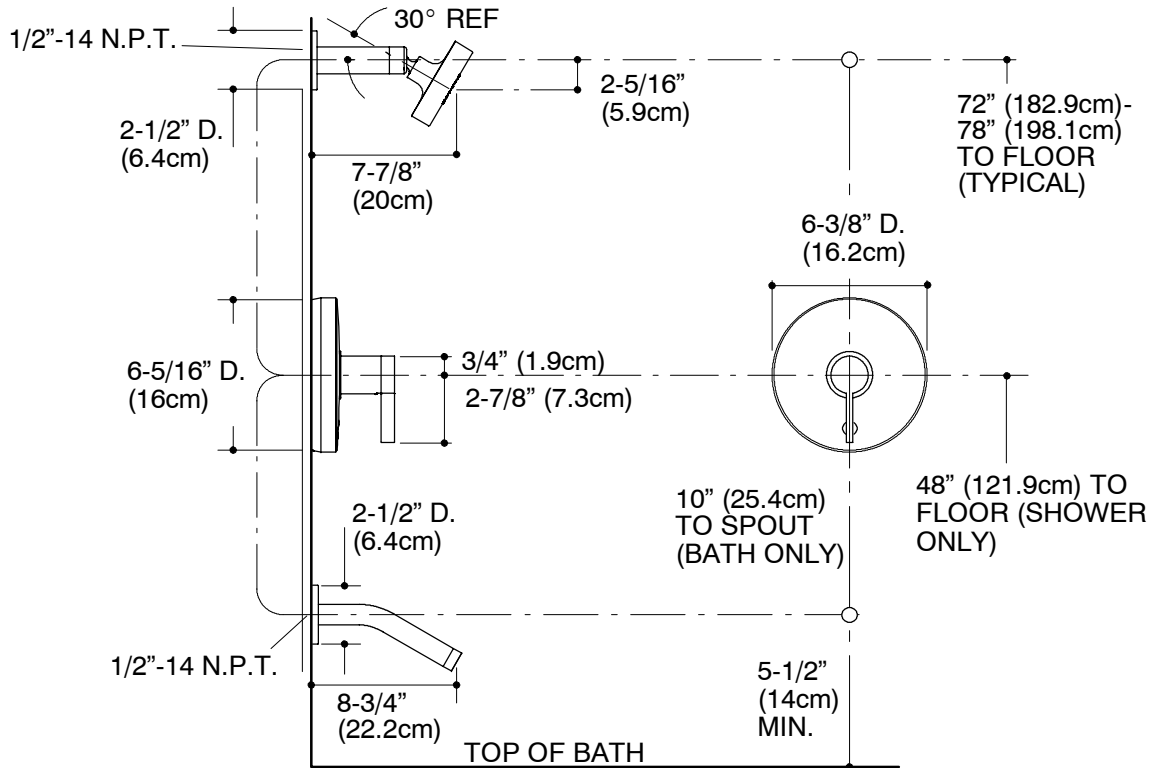
Mexico faucets and fittings have an M after the first sequence of numbers (such as K-12345 M)		
Applicable faucet trim only:		
Bath and shower blade handle*	K-T948-4	
Shower blade handle*	K-T949-4	
Valve blade handle*	K-T950-4	
Shower head, arm and flange	K-951	
Bath Spout	K-952	
*Rite-Temp valve must be ordered to complete faucet.		
Applicable Rite-Temp valve only:		
Rite-Temp valve without stops	K-304-K	not shown**
Rite-Temp valve with stops	K-304-KS	not shown**
Rite-Temp valve with CPVC female stops	K-304-KP	not shown**
Rite-Temp valve without stops	K-305-K	not shown**
Rite-Temp valve with stops	K-305-KS	not shown**

HiFlow Rite-Temp valve with integral stops	K-306-KS	not shown**
HiFlow Rite-Temp thin wall installation kit	88526	not shown**
**Required for configuration illustrated.		
ADA Lever handle is ADA compliant		

WARNING: Risk of damage to the K-306-KS valve assembly. When using the K-306-KS valve in a fiberglass or acrylic installation, use the thin wall installation kit (88526).

Installation Notes

Install this product according to the installation guide. Avoid cross-flow conditions. Do not install shut-off device on either valve outlet. Cap shower outlet if deck-mount spout, diverter, or handshower is connected to spout outlet. Install straight pipe or tube drop of 7" (17.8cm) to 18" (45.7cm) with single elbow between valve and wall-mount spout.



K-T948, K-T949, K-T950, K-951, K-952, K-304, K-305 Stillness™ Faucets
1031652-1-A

