



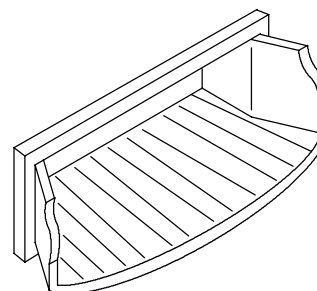
BODYSPA™

WATERFALL

K-1002-H2

FEATURES

- 13-1/2" (34.3cm) x 4-7/8" (12.4cm) x 3-3/4" (9.5cm)
- Clear polyurethane waterfall
- Lighted waterfall
- 2 HP variable speed pump with backlit user keypad and remote control
- Recirculating pump kit delivers flows up to 80 gallons (302.8L) per minute of powerful hydro-massage
- Order one Waterfall, pump kit, and drain for each complete BodySpa custom installation
- For indoor use only



CODES/STANDARDS

Specified model meets or exceeds the following:

- None applicable

COLORS/FINISHES

- CP Polished Chrome
- PB Polished Brass
- SN Polished Nickel
- 0 White

Accessories:

- CP Polished Chrome
- PB Polished Brass
- SN Polished Nickel
- 0 White

SPECIFIED MODEL:

Model	Description	Colors/Finishes			
		<input type="checkbox"/> SN	<input type="checkbox"/> CP	<input type="checkbox"/> PB	<input type="checkbox"/> 0 White
K-1002-H2	BodySpa Waterfall	<input type="checkbox"/> SN	<input type="checkbox"/> CP	<input type="checkbox"/> PB	<input type="checkbox"/> 0 White
Required Accessories					
K-1003-H2	BodySpa custom Waterfall pump kit	<input type="checkbox"/> SN	<input type="checkbox"/> CP	<input type="checkbox"/> PB	<input type="checkbox"/> 0 White
Recommended Accessories					
K-7179	BodySpa custom drain	<input type="checkbox"/> SN	<input type="checkbox"/> CP	<input type="checkbox"/> PB	

PRODUCT SPECIFICATION:

The Waterfall shall be 13-1/2" (34.3cm) in width, 4-7/8" (9.5cm) in height, and 3-3/4" (12.4cm) in depth. Waterfall shall be made of clear polyurethane. Waterfall shall be lighted. Waterfall shall have back-lit user control and remote control. Recirculating pump kit shall deliver flows up to 80 gallons (302.8L) per minute of powerful hydro-massage. Waterfall shall be configured with pump kit and custom drain or equivalent. Waterfall shall be Kohler Model K-1002-H2-_____.

BODYSPA™

PRODUCT INFORMATION

Fixture:	
Weight	5 lbs. (2.2 kg)

INSTALLATION NOTES

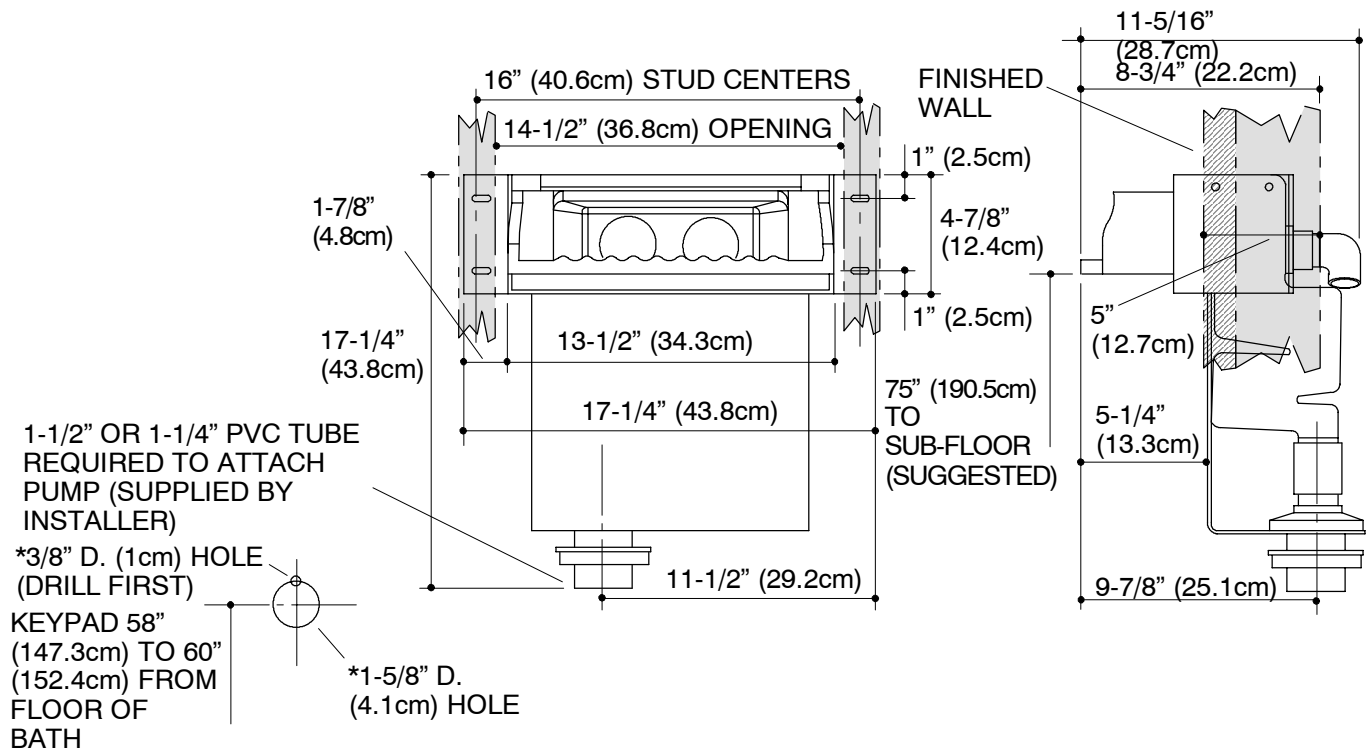
Install this product according to the installation guide.

Locate keypad so the 8' (243.8cm) control cable is within reach of the control box.

1-1/2" or 1-1/4" nominal PVC pipe approximately 48" (121.9cm) long supplied by installer, must be used to complete plumbing to pump kit.

*Keyhole for keypad: Drill 3/8" D. (1cm) hole first at top. Drill 1-5/8" D. (4.1cm) hole second.

Blind installation on backside requires 1-7/8" D. (4.8cm) to 2-1/2" D. (6.4cm) hole for keypad nut.



PRODUCT DIAGRAM