



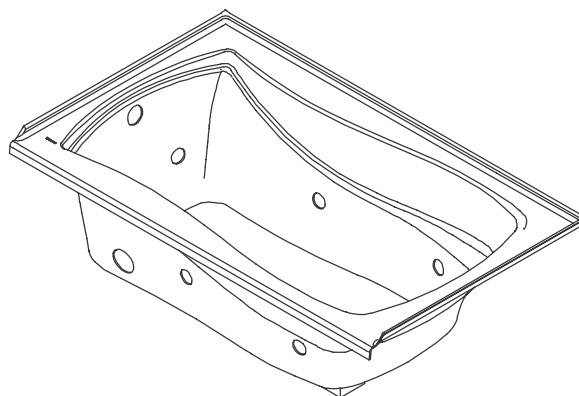
MARIPOSA™ 5'

ACRYLIC BATH WHIRLPOOL

K-1239, K-1239-L/-R

FEATURES

- 60" (152.4cm) x 36" (91.4cm) x 20" (50.8cm)
- Acrylic
- Drop-in or 3-wall alcove
- 5 individually adjustable ProFlex hydro-massage jets
- 1-1/4 HP pump with air switch and cord with plug
- UL listed
- Optional K-1278 separate apron
- Optional K-9695 whirlpool trim kit in various finishes
- Optional K-1639 timer kit



CODES/STANDARDS APPLICABLE

Specified model meets or exceeds the following:

- ASME/ANSI A112.19.7M
- ANSI Z124.1
- IAPMO/UPC
- Underwriters Laboratories (UL)
- State of Massachusetts

COLORS/FINISHES

- 0 White
- Other Refer to Fixtures Price Book for additional colors

Accessories:

- CP Polished Chrome
- PB Polished Brass
- Other Refer to Price Book for additional finishes
- NA None Applicable

SPECIFIED MODEL:

| Model | Description | Colors/Finishes | |
|----------|---|----------------------------------|-------------------------------------|
| K-1239 | Whirlpool, drop-in | <input type="checkbox"/> 0 White | <input type="checkbox"/> Other_____ |
| K-1239-L | Whirlpool, left drain hole, integral flange (shown) | <input type="checkbox"/> 0 White | <input type="checkbox"/> Other_____ |
| K-1239-R | Whirlpool, right drain hole, integral flange | <input type="checkbox"/> 0 White | <input type="checkbox"/> Other_____ |

| Recommended Accessories | | | |
|-------------------------|-------|-----------------------------|---|
| K-7161-AF | Drain | <input type="checkbox"/> CP | <input type="checkbox"/> PB <input type="checkbox"/> Other_____ |

| Optional Accessories | | | |
|----------------------|--|---|-------------------------------------|
| K-1278 | Separate apron with removable panel for front access | <input type="checkbox"/> 0 White | <input type="checkbox"/> Other_____ |
| K-9695 | Jet trim kit (metal finishes) | <input type="checkbox"/> CP <input type="checkbox"/> PB | <input type="checkbox"/> Other_____ |
| K-1639 | Timer Kit | <input type="checkbox"/> NA | |

PRODUCT SPECIFICATION:

The bath whirlpool shall be 60" (152.4cm) in length, 36" (91.4cm) in width, and 20" (50.8cm) in height. Bath whirlpool shall be made of acrylic, drop-in or 3-wall alcove installation. Bath whirlpool shall have 5 individually adjustable ProFlex hydro-massage jets, 1-1/4 HP pump with air switch and cord with plug. Bath whirlpool shall be UL listed. Bath whirlpool shall have optional K-1278 front apron. Bath whirlpool shall have optional K-9695 trim kit. Bath whirlpool shall have optional K-1639 timer kit. Bath whirlpool shall be Kohler Model K-1239-_____-_____.

MARIPOSA™ 5'

PRODUCT INFORMATION

| | | | |
|--------------|----------------------------|------------------------------|-------------------|
| Fixture*: | basin area | top area | weight |
| Bathing well | 46" (116.8cm) x 24" (61cm) | 54" (137.2cm) x 27" (68.6cm) | 105 lbs. (47.6kg) |
| | water depth | capacity | |
| To overflow | 14" (35.6cm) | 63 gal. (238.5L) | |

* Approximate measurements for comparison only.

| | | | | |
|---------|-------|-----|----|-----|
| Pump: | HP | V | Hz | A |
| 1-speed | 1-1/4 | 120 | 60 | 7.5 |

REQUIRED ELECTRICAL SERVICE

| | |
|---|--------------------|
| Dedicated circuit required, protected with Class A Ground-Fault Circuit-Interrupter (GFCI): | |
| Pump/control | 120 V, 15 A, 60 Hz |
| Locate the outlet behind the whirlpool and within 24" (61cm) of the pump. | |

INSTALLATION NOTES

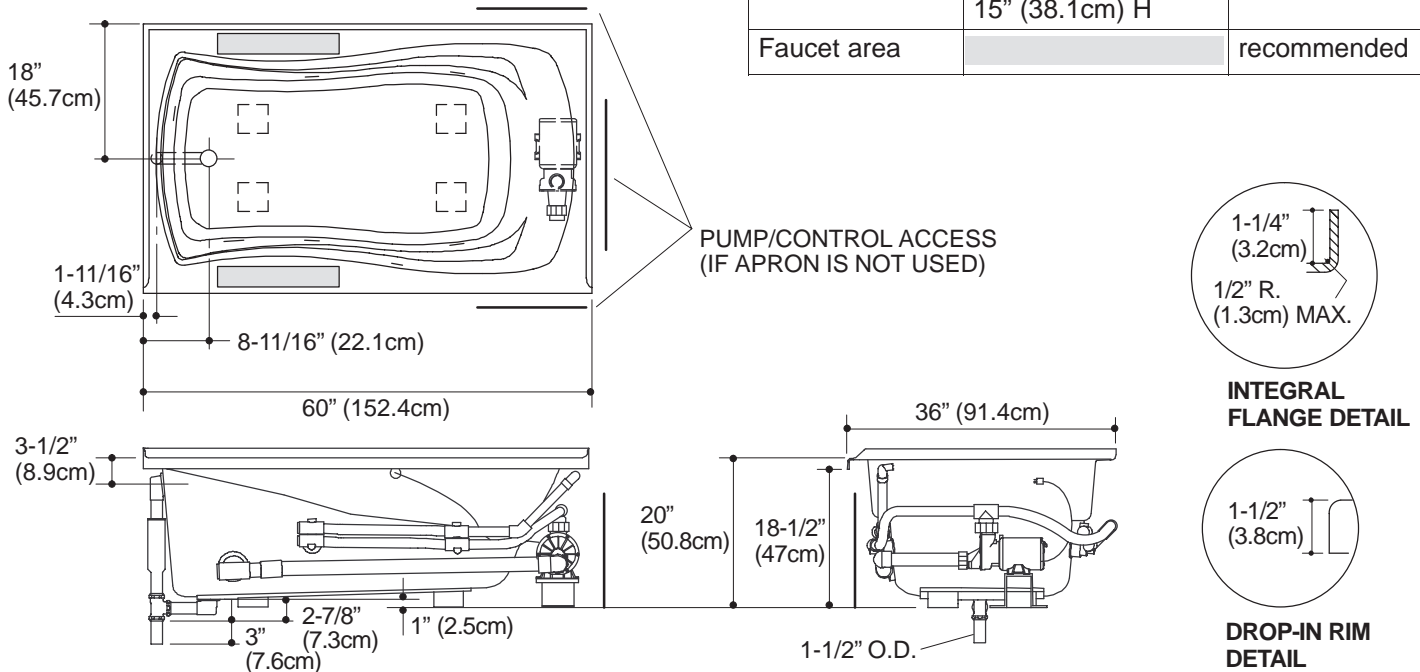
Install this product according to the installation guide.

Floor support under whirlpool must provide for a minimum of 80 lbs./square foot (390 Kg./square meter) loading.

If installing a rim-mount faucet, make sure there is no interference with drain overflow and circulating system before drilling any holes. Consult local and national codes for minimum air gap requirements if installing a spout on the faucet deck.

The apron must be installed before the finish floor and wall materials are installed.

| | | |
|--|---------------------------------|-------------|
| No change in measurements if connected with drain illustrated. (K-7161-AF or K-7161M-AF) | | |
| Drop-in cut-out | 58" (147.3cm) x 34" (86.4cm) | |
| Minimum access panel: | | |
| Pump/control | 20" (50.8cm) W x 15" (38.1cm) H | required |
| Faucet area | | recommended |



PRODUCT DIAGRAM