



**DEVONSHIRE™**

**BATH WHIRLPOOL  
K-1357**

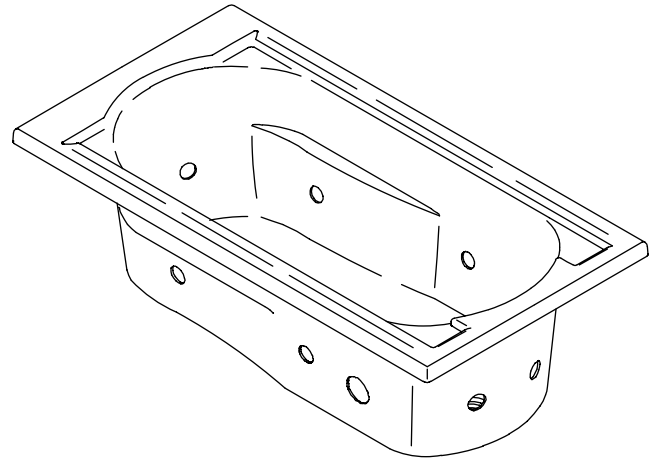
**Features**

- Acrylic
- 8 Kohler jets, color matched
- 1-1/4 hp pump with air switch and grounding-type plug-in cord
- UL listed
- 60" (152.4 cm) x 32" (81.3 cm) x 20" (50.8 cm)

**Codes/Standards Applicable**

Specified model meets or exceeds the following:

- ANSI Z124.1
- ASME A112.19.7
- IAPMO/UPC
- Underwriter's Laboratories (UL)
- Listed in State of Massachusetts



**Colors/Finishes**

- 0: White
- Other: Refer to Price Book for additional colors/finishes

**Accessories:**

- CP: Polished Chrome
- PB: Polished Brass
- Other: Refer to Price Book for additional colors/finishes

**Specified Model**

| Recommended Accessories |                |                                  |                                      |                                      |
|-------------------------|----------------|----------------------------------|--------------------------------------|--------------------------------------|
| Model                   | Description    | Colors/Finishes                  |                                      |                                      |
| K-1357                  | Bath whirlpool | <input type="checkbox"/> 0 White | <input type="checkbox"/> Other _____ |                                      |
| Recommended Accessories |                |                                  |                                      |                                      |
| K-7161-AF               | Drain          | <input type="checkbox"/> CP      | <input type="checkbox"/> PB          | <input type="checkbox"/> Other _____ |

**Product Specification:**

The bath whirlpool shall be 60" (152.4 cm) in length, 32" (81.3 cm) in width, and 20" (50.8 cm) in height. Bath whirlpool shall be made of acrylic. Bath whirlpool shall have 8 color-matched Kohler jets, 1-1/4 hp pump, and air switch actuator. Bath whirlpool shall be UL listed. Bath whirlpool shall be supplied with a plug-in cord. Bath whirlpool shall be Kohler Model K-1357-\_\_\_\_\_.

# DEVONSHIRE™

## Technical Information

|   |                                |                              |                    |
|---|--------------------------------|------------------------------|--------------------|
| Fixture:*                                       | basin area                     | top area                     | weight             |
| Bathing well                                    | 42" (106.7 cm) x 20" (50.8 cm) | 51" (129.5 cm) x 24" (61 cm) | 100 lbs. (45.4 kg) |
| To overflow                                     | water depth                    | capacity                     |                    |
|   | 14" (35.6 cm)                  | 60 gal. (227.1 L)            |                    |
| * Approximate measurements for comparison only. |                                |                              |                    |

|         |          |         |           |          |
|---------|----------|---------|-----------|----------|
| Pump:   | Hp       | Voltage | Frequency | Amperage |
| 1-speed | 1-1/4 hp | 120 V   | 60 Hz     | 7 A      |

## Required Electrical Service

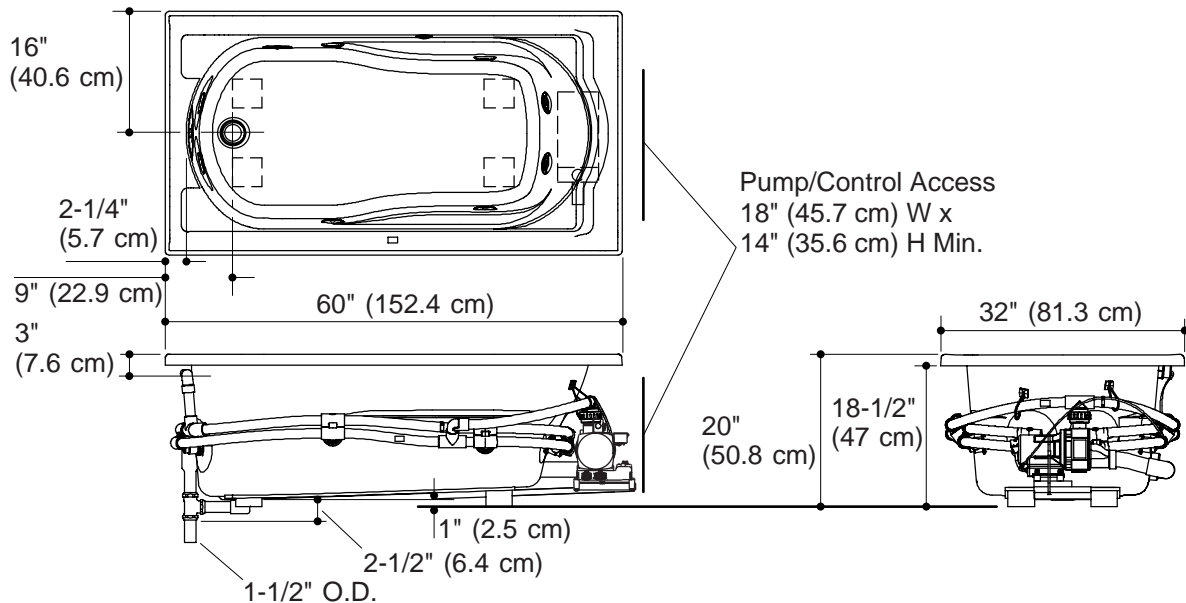
|   |                   |
|---|-------------------|
| Dedicated circuit required, protected with Class A Ground-Fault Circuit-Interrupter (GFCI): |                   |
| Pump/control  | 120 V, 15A, 60 Hz |
| Locate the outlet behind the whirlpool and within 24" (61 cm) of the pump.                  |                   |

## Installation Notes

Install this product according to the installation guide.

Floor support under whirlpool must provide for a minimum of 80 lbs./square foot (390 kg/square meter) loading.

No change in measurements with drain shown. (K-7161-AF or K-7161M-AF)



## Product Diagram