

# KOHLER® Roughing-In

**K-1658  
STEAM GENERATOR**

## Product Information

Applicable product:	
Steam generator	K-1658 (shown)
Steam assembly and control panel	K-1663 (required)
Water and drain requirements:	
Water supply	3/8" copper line, 3/8" NPT female thread
Steam line	1/2" copper line, 1/2" NPT female thread
Pressure relief valve	3/4" NPT female thread, valve supplied
Drain line	3/8" copper line, 3/8" NPT female thread, ball valve supplied
Generator:	
Weight	19-1/2 lbs (8.8 kg)
Electrical rating	240 V, 60 Hz, 45 A

## Installation Notes

Install this product according to the installation guide.

Fixture dimensions are nominal.

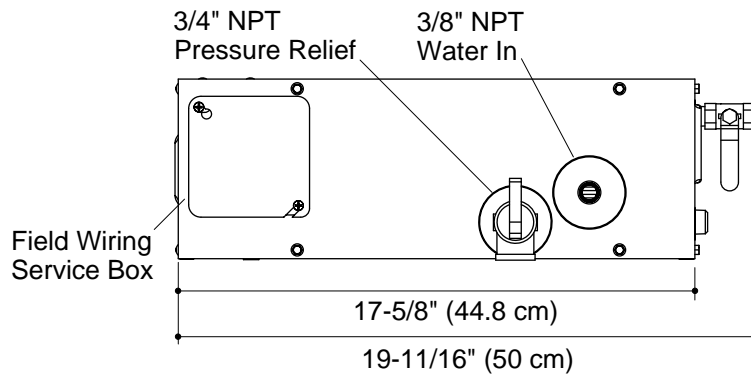
Calculate the area of the enclosure (length x width x height).

For this steam generator, do not exceed the rating by material:

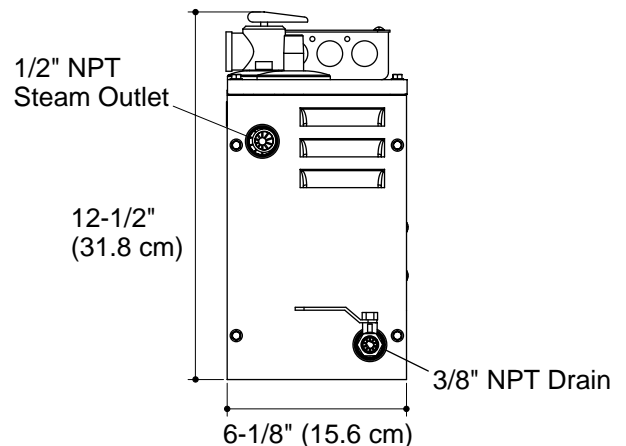
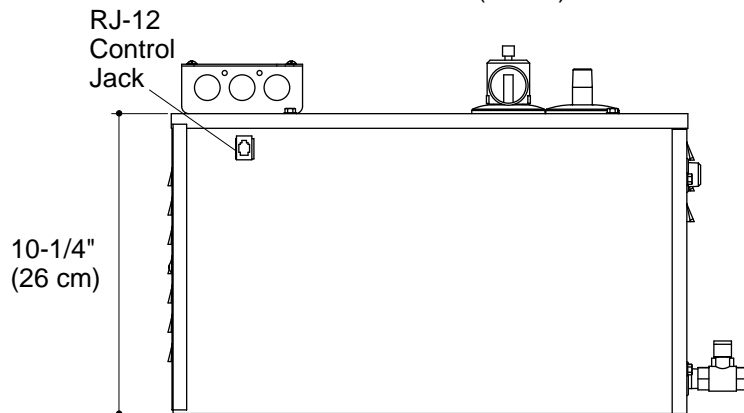
Acrylic or gel coat	500 cubic feet (14.2 cubic meters)
Corian (ceramic tile on sheet rock)	325 cubic feet (9.2 cubic meters)
Glass tile	240 cubic feet (6.8 cubic meters)
Natural stone tile 3/8" (1 cm) to 1/2" (1.3 cm)	195 cubic feet (5.5 cubic meters)
Natural stone slab 3/4" (1.9 cm) to 1" (2.5 cm)	175 cubic feet (4.9 cubic meters)

## Required Electrical Service

Dedicated circuit required:	
Generator	9 kW, 240 V, 50 A, 60 Hz



Minimum required access is  
20" (50.8 cm) L x 13" (33 cm) H x  
6-1/2" (16.5 cm) W.



STEAM GENERATOR  
1008053-1-B

**KOHLER®**