

KOHLER[®]

Roughing-In

K-2196
PENNINGTON™
COUNTERTOP LAVATORY

Product Information

ADA compliant		
Mexico products have an M after the first sequence of numbers (such as K-12345 M)		
Applicable product:		
8" (20.3 cm) centers lavatory	K-2196-8	shown
With soap dispenser hole on left; with overflow	K-2196-8L	
With soap dispenser hole on right; with overflow	K-2196-8R	not shown
Less soap dispenser hole; less overflow	K-2196-8N	
Soap dispenser hole on left; less overflow	K-2196-8K	
Soap dispenser hole on right; less overflow	K-2196-8F	

Fixture:*		basin area	water depth
Lavatory		16" (40.6 cm) x 11" (27.9 cm)	4" (10.2 cm)
Drain hole	1-3/4" D. (4.4 cm)		
* Approximate measurements for comparison only.			

Holes	Spout	Faucet	Soap dispenser
	1-3/8" D. (3.5 cm)	1-3/8" D. (3.5 cm)	1-1/4" D. (3.2 cm)

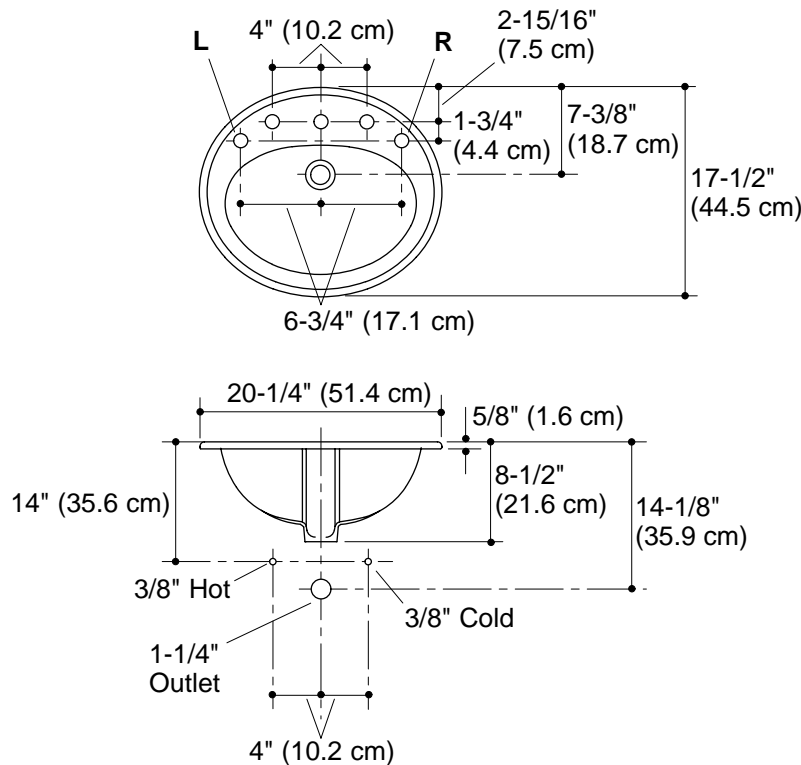
Included Components:	
Cutout template	1002970-7

Installation Notes

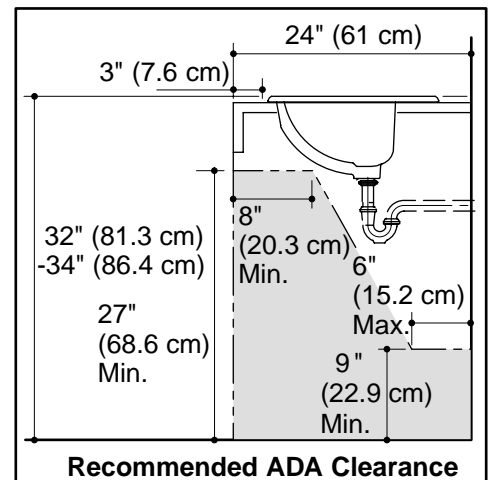
Install this product according to the installation guide.

NOTICE: Countertop manufacturer or cutter **must** use the cutout template provided with the product, or a current one provided by Kohler Co. (call 1-800-4-KOHLER). Kohler Co. is not responsible for cutout errors when the incorrect cutout template is used.

Fixture dimensions are nominal and conform to tolerances in ASME Standard A112.19.2.



Standard Installation



Recommended ADA Clearance