



**THERMOSTATIC MIXING VALVE
K-13601**

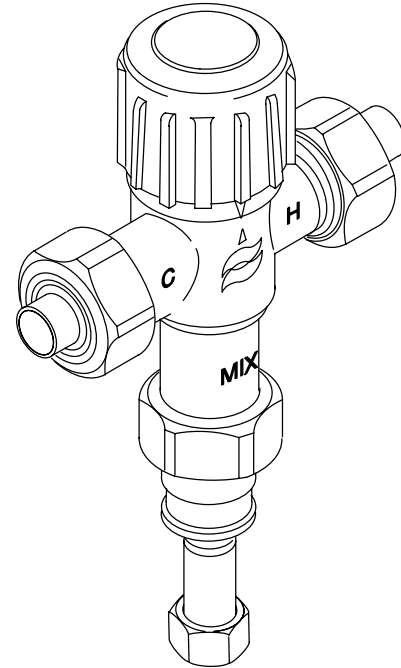
FEATURES

- Brass construction
- Maximum 8 GPM at 150 PSI
- Mixes hot and cold water allowing for wide range of temperature selections or fixed setting
- 1/2" union sweat tailpieces
- Check valves

CODES/STANDARDS APPLICABLE

Specified model meets or exceeds the following:

- ASME/ANSI A112.18.1M
- ANSI/ASSE 1016



COLORS/FINISHES

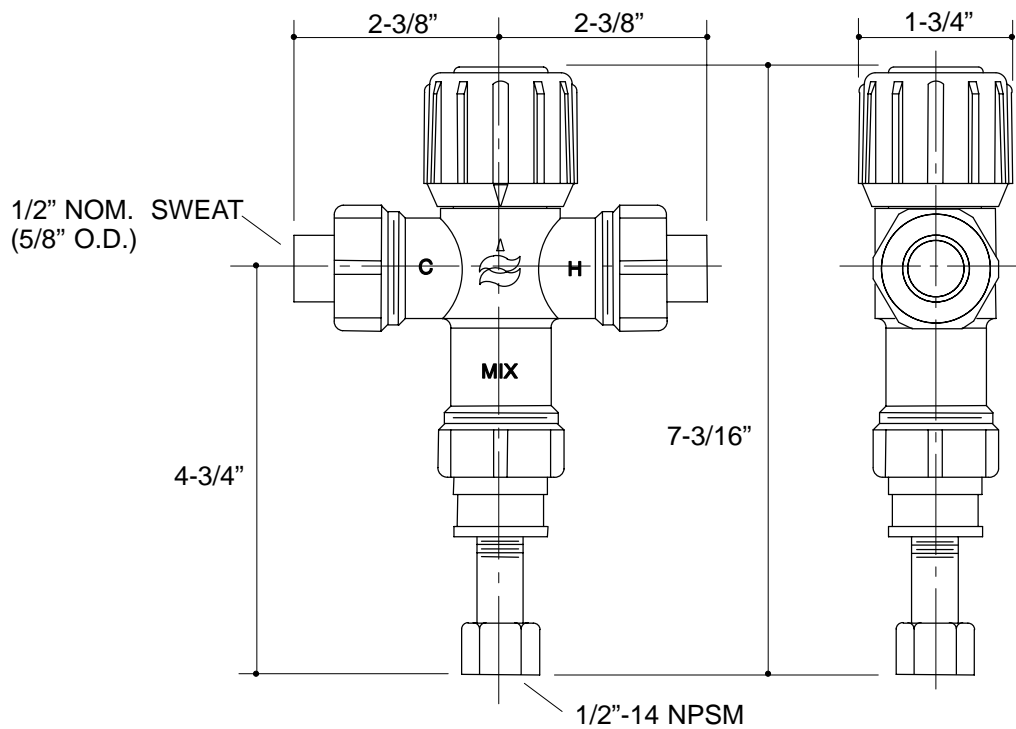
- NA Not applicable

SPECIFIED MODEL:

Model	Description	
K-13601	Thermostatic Mixing Valve	<input type="checkbox"/> NA

PRODUCT SPECIFICATION:

Thermostatic mixing valve shall be of brass construction. Product shall have a maximum of 8 GPM at 150 PSI. Product shall mix hot and cold water, allowing for a wide range of temperature selections or fixed setting. Product shall have 1/2" union sweat tailpieces and check valves. Valve shall be Kohler Model K-13601-NA.



716

PRODUCT DIAGRAM