

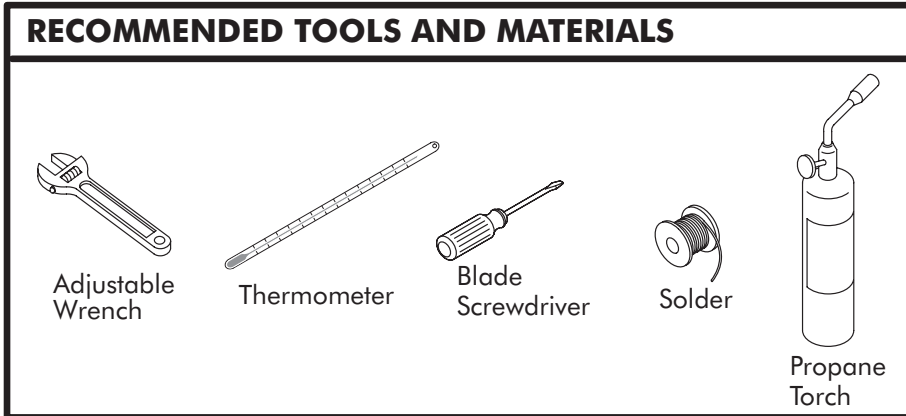


INSTALLATION

G U I D E

PROPORTIONAL
THERMOSTATIC
MIXING VALVE

THE BOLD LOOK
OF **KOHLER**®



BEFORE YOU BEGIN

NOTES:

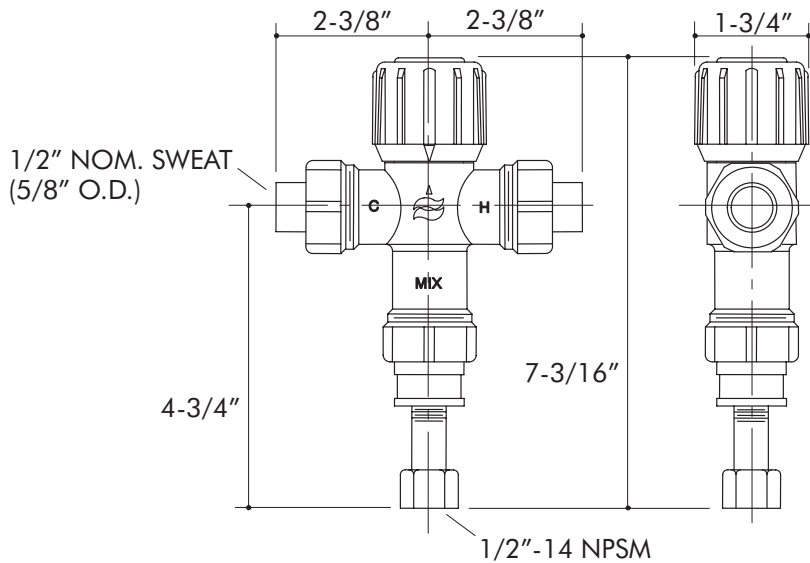
- Shut off the main water supply.
- Observe local plumbing codes.
- Inspect the supply tubing for damage. Replace as necessary.
- Install this valve where it will be accessible for cleaning, servicing, or adjustment.
- If a differential pressure over 10 p.s.i. exists between the hot and cold water supplies, install a balancing valve on the cold water side to maintain the selected water temperature.
- Automatic operation is provided by a thermostatic element. The element will control the hot and cold supply based on the valve setting. This provides constant water temperature under any working condition.
- Loss of hot or cold water to the thermostatic mixing valve will cause a reduction in flow from the valve to less than .5 g.p.m. within 5 seconds of the loss.
- Kohler Co. reserves the right to make revisions in the design of faucets without notice, as specified in the Price Book.

SPECIFICATIONS:

Rating: 8 G.P.M.
 Temp. Range: 80 – 120°F
 Max. Temp.: 212°F
 Max. Pressure: 150 P.S.I.
 Max. Diff. Pressure: 10 P.S.I.



1. ROUGHING-IN DIMENSIONS



2. INSTALL MIXING VALVE

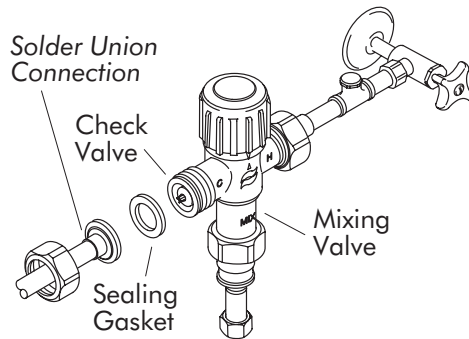
NOTE: Install this valve where it will be accessible for cleaning, servicing, or adjustment.

Per A.S.S.E. Standard 1016:
 "When not equipped with an integral shutoff or when there is a shutoff valve installed after the control valve, there shall be stop and check valves on the inlet(s)."

This mixing valve contains internal check valves to prevent hot and cold water migration through the valve.

⚠ CAUTION: Risk of product damage. Do not apply soldering heat to the mixing valve with the sealing gasket installed.

Solder union connections prior to assembly to the mixing valve, or remove the sealing gaskets and check valves from the valve to solder connections. Reinstall after the mixing valve has cooled.



3. TEMPERATURE SELECTION

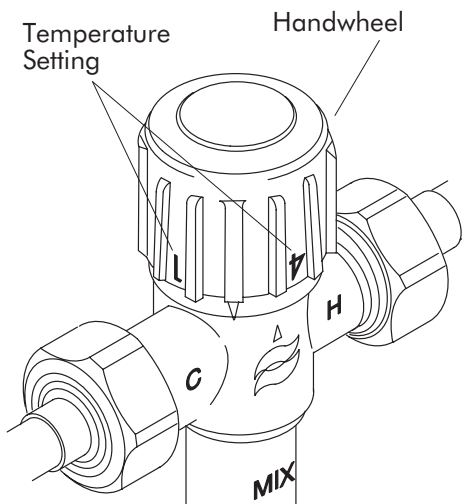
If a differential pressure over 10 p.s.i. exists between the hot and cold water supplies, install a balancing valve on the cold water side to maintain the selected water temperature.

Check the water temperature at the faucet outlet after completing the installation.

Turn the handwheel to the desired temperature setting based upon the information below.

NOTE: The temperatures provided are average values.

NOTE: The temperatures provided are based upon 60°F cold water. Assume a 1°F change for every 10° temperature deviation from 60°.



Hot Supply Temperature (°F)	Temperature Setting Number Mixed Water Temperature				
	0	1	2	3	4
120	76	87	96	105	114
140	77	88	98	107	116
160	77	88	100	109	118
180	78	90	102	111	119



4. OPTIONAL TEMPERATURE LOCK-IN

If desired, you can limit the temperature range of this thermostatic mixing valve.

Turn the handwheel to the desired temperature setting.

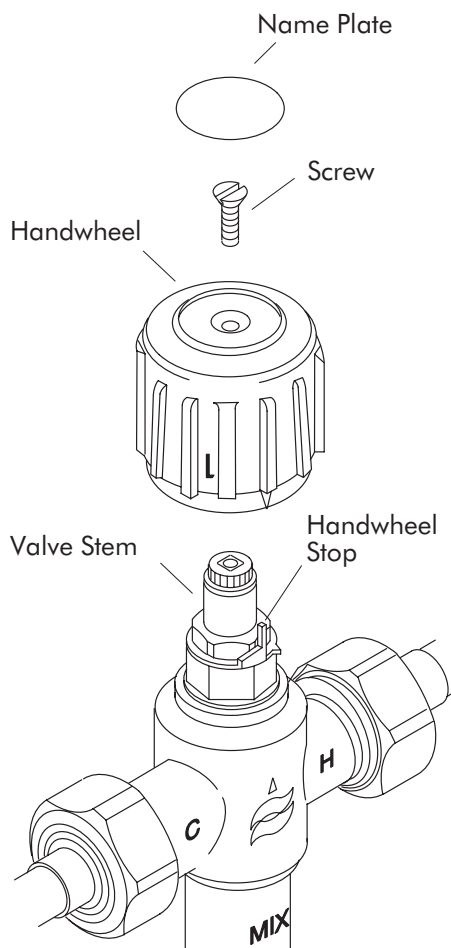
Pierce the center circle of the handwheel name plate with a screwdriver, and remove the screw and handwheel.

To lock in the temperature lower than the full range (1 to less than 4), position the handwheel as close as possible to the left of the handwheel stop. Reinstall the handwheel to the valve stem and secure with the screw.

To lock in the temperature higher than the full range (higher than 1 up to 4), position the handwheel as close as possible to the right of the handwheel stop. Reinstall the handwheel to the valve stem and secure with the screw.

NOTE: Make sure the actual mixed water temperatures are within the desired range.

NOTE: After locking-in the water temperature range, the temperature settings will no longer match the chart on Page 4.





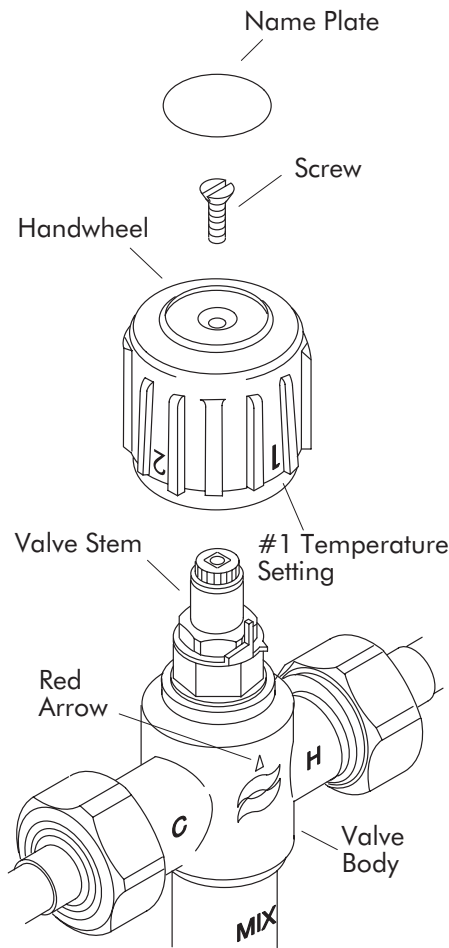
5. VALVE MAINTENANCE

FIELD CALIBRATE VALVE:

If necessary, you can field calibrate the mixing valve.

Pierce the center circle of the handwheel name plate with a screwdriver, and remove the screw and handwheel. Turn the valve stem fully clockwise. Then turn the valve stem counterclockwise 3/8 turn.

Reinstall the handwheel and screw so the "1" temperature setting is in line with the red arrow on the valve body.



CLEAN MIXING VALVE:

To clean the thermostatic mixing valve, shut off the water supply to the mixing valve.

Pierce the center circle of the handwheel name plate with a screwdriver, and remove the screw and handwheel.

Use an adjustable wrench to loosen, but not remove the upper nut, and access the lower nut. Use an adjustable wrench to loosen the lower nut by turning counterclockwise. Remove the top assembly.

Lift out the lower assembly, diffuser, and spring from the valve body.

⚠ CAUTION: Risk of product damage. Do not use solvents or scrapers to clean the valve components.

Carefully remove any scaling or foreign material from the valve seat and other internal parts. Soak encrusted parts in vinegar to loosen deposits.

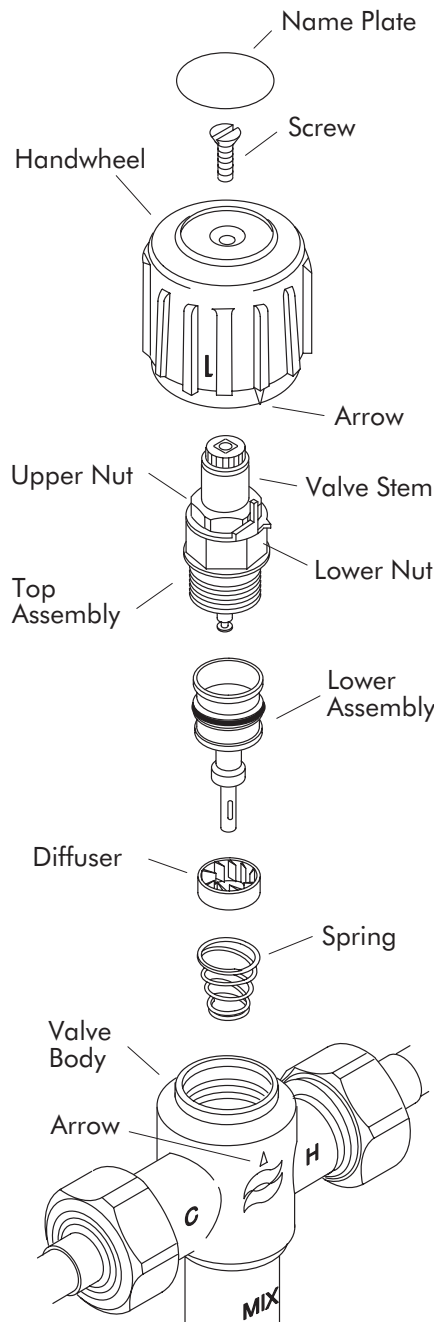
Reinstall or replace the spring, diffuser, and lower assembly as needed. Install the spring small end first. Install the diffuser small end first.

Fit the top assembly into the lower assembly, and insert into the valve body. Wrench tighten the lower nut.

Line up the arrow on the handwheel stop with the arrow on the valve body. Hold in place, and tighten the upper nut.

Turn the valve stem fully clockwise. Then turn the valve stem counterclockwise 3/8 turn.

Reinstall the handwheel to the valve stem. Secure with the screw.





CALL US FOR HELP

Questions? Problems? First review the installation instructions to ensure correct installation. For additional assistance in the USA, call our Customer Service Department for direct help. You may also contact us at our web site listed below.

1-800-4-KOHLER

THE BOLD LOOK
OF **KOHLER**[®]
www.kohlerco.com