

# KOHLER® Roughing-In

## K-408-K, K-409-K TRANSFER VALVE WITH INTEGRAL VACUUM BREAKER

### Ordering Information

Applicable transfer valve:		
Bath mount	K-408-K	shown
Deck mount	K-409-K	shown

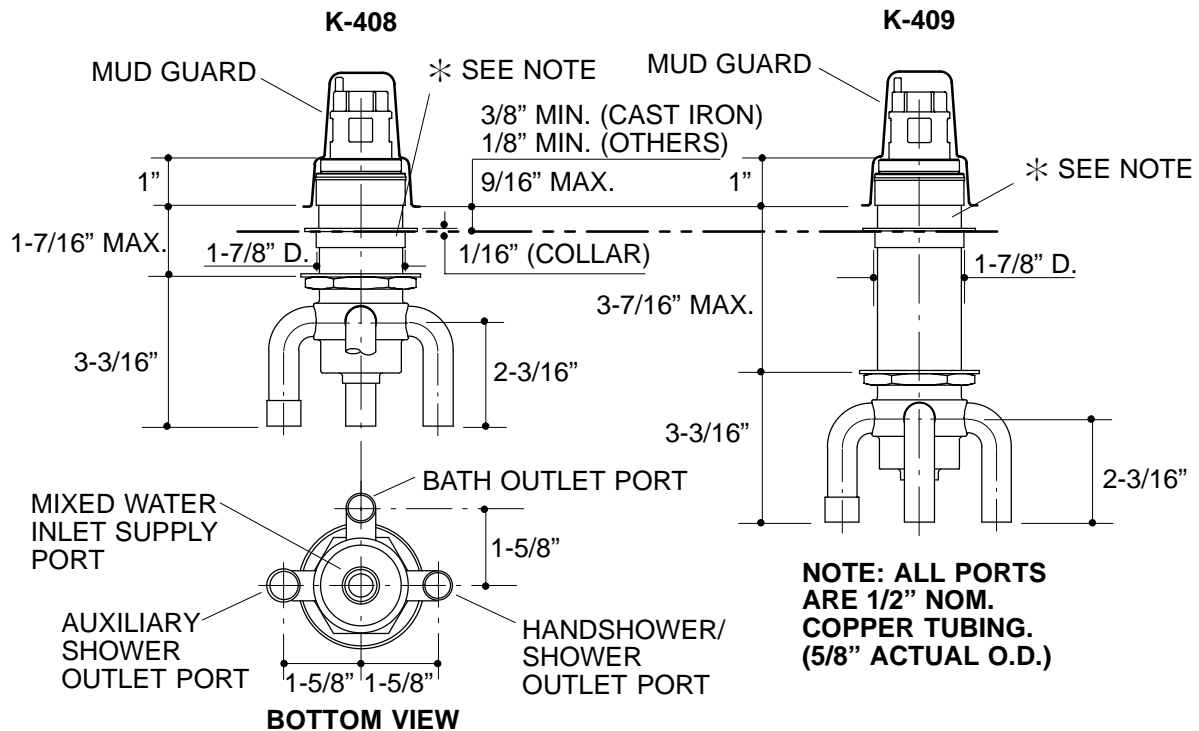
### Installation Notes

Bath and handshower outlets required for two-way transfer valve.

Bath, handshower, and auxiliary outlets required for three-way transfer valve.

When used as a two-way transfer valve (bath and handshower), the installer must cap the auxiliary outlet. Do not install spouts with flow restrictors or shower units on the bath outlet.

\* For installation on cast iron baths, collar should be installed with flange facing downward. Opening in cast iron must be 1-7/8" D. minimum.



14

**K-408-K, K-409-K** Transfer Valve/Vacuum Breaker  
86847-1-AB

**KOHLER®**

NOTES: