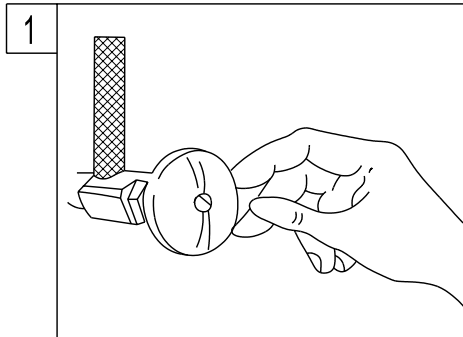
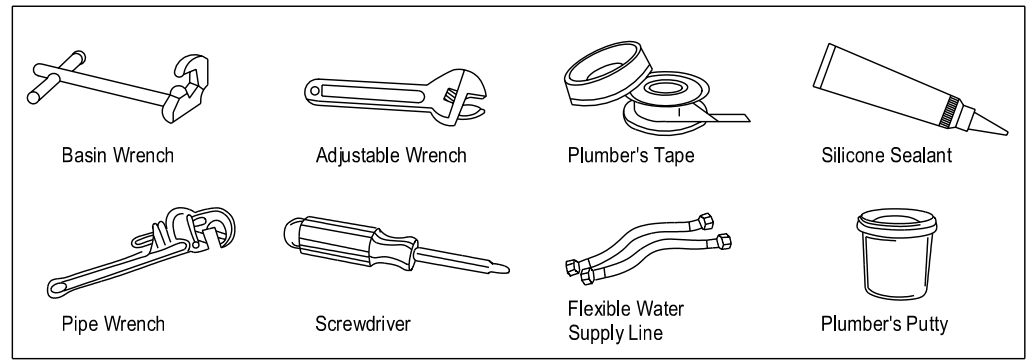
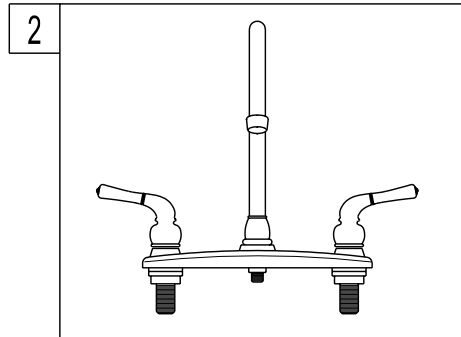


INSTALLATION INSTRUCTIONS

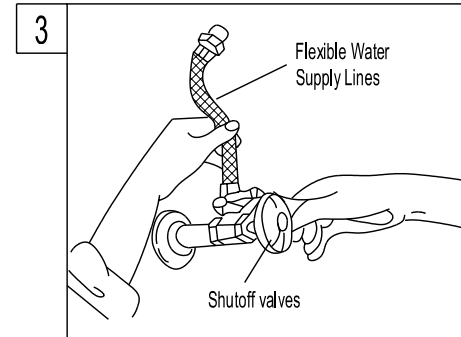
For Use With KB's Two Handle Kitchen Faucets
With or Without Spray Hose



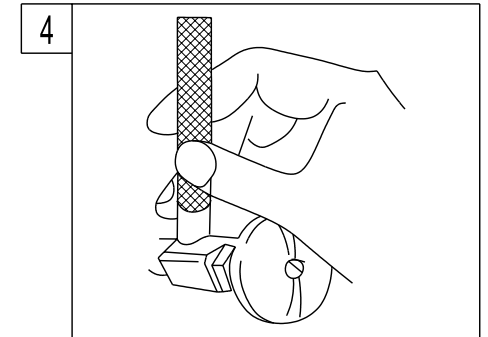
1. Shut off hot and cold water supply under sink. Plug sink drain with cloth to avoid losing small parts. Remove old faucet.



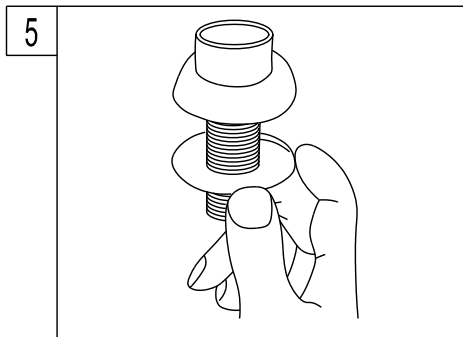
2. Set the faucet in place, insert the inlet shanks through the sink holes, and press down. Assemble the washers and locknuts on the inlet shanks, and then tighten the nuts with hand.



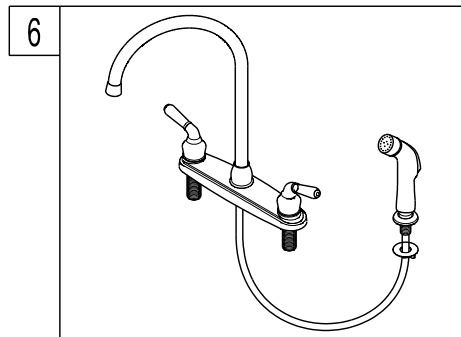
3. Connect the water supply lines. Before connecting the supply lines, apply pipe joint compound to the threads on the inlet shanks and shut off valves.



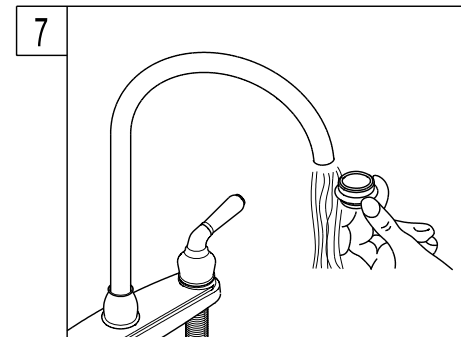
4. Turn on water supply valves and check for leaks, especially at hook-ups to supply lines.



5. For model is with spray head and hose. Place the spray guide through the fourth hold in the sink, screw the locknut onto the shank and tighten firmly.



6. Insert the hose through the guide and attach to the fitting on the bottom of the faucet. Attach spray head to the hose.



7. Remove the aerator before turning on your new faucet for the first time. This is to prevent any deposits from clogging your aerator. Allow both hot and cold water to run for one minute. Replace aerator.

