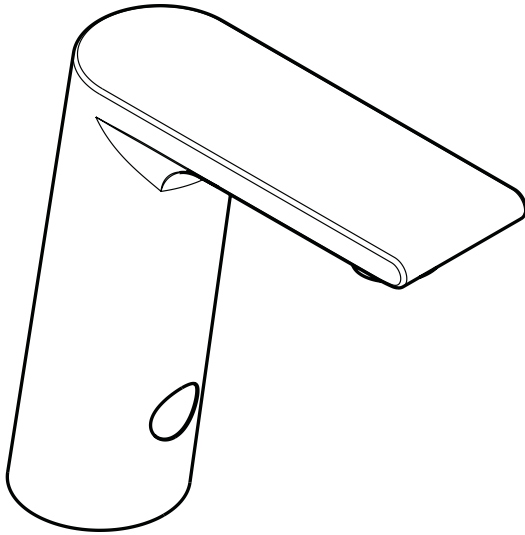


Metris Electronic Lavatory Faucet

31101001



Product Features

- Infrared sensor technology
- Battery operated
- Built-in stop for cleaning
- Preset temperature
- Flexible supply hoses with 3/8" adapters
- Automatic shutoff after 35 seconds
- 1.5 gpm max.

Code Compliance

This unit meets or exceeds the following:

- ASME A112.18.1
- CSA B125.1
- Listed by IAPMO
- ADA compliant

Available Finishes

Chrome

31101001

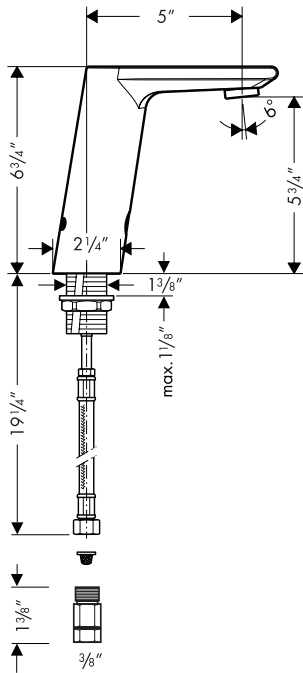
Optional Accessories

Grid drain

06400000

Base plate

14018001



The measurements shown are for reference only.

Products and specifications shown are subject to change without notice.

Specification sheet revised 11/2007

hansgrohe