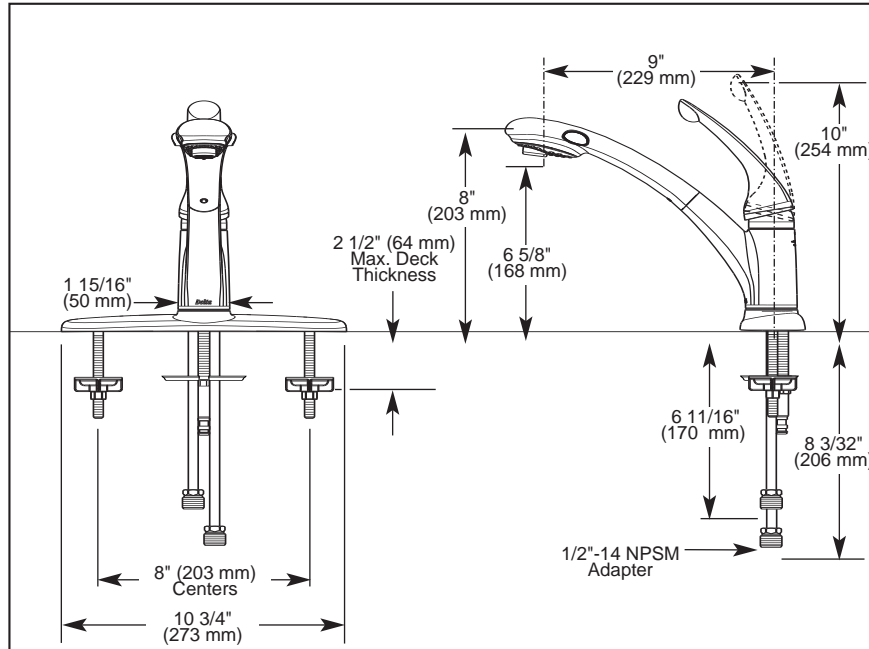


# DELTA KITCHEN FAUCETS

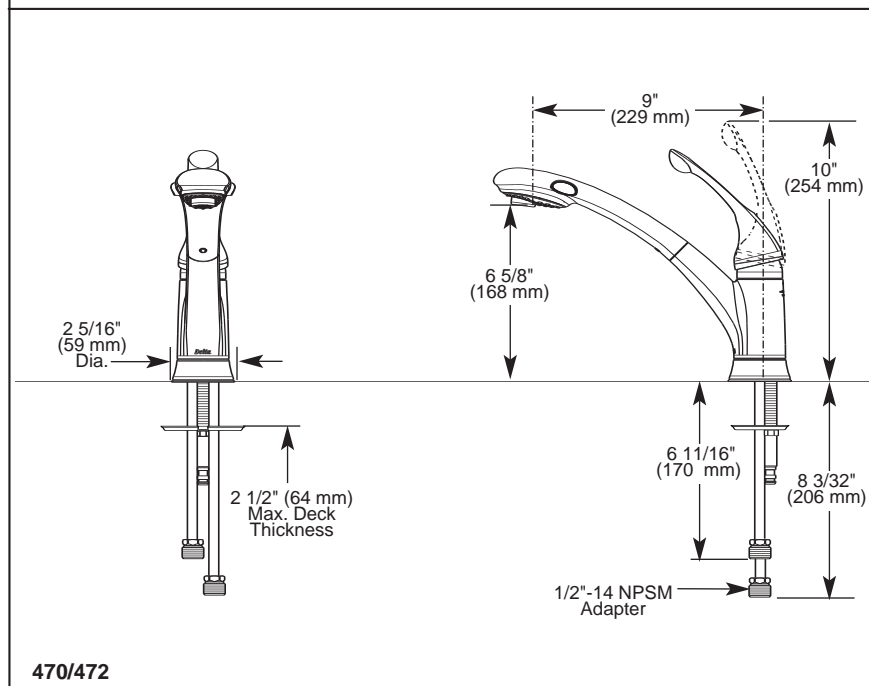
- Signature® Pull-Out Series
- Single Handle Deck Mount
- Single or 3 Hole Sink Applications
- Quick Snap® Hose Installation

Submitted Model No.: \_\_\_\_\_

Specific Features: \_\_\_\_\_



470/472



470/472

### STANDARD SPECIFICATIONS:

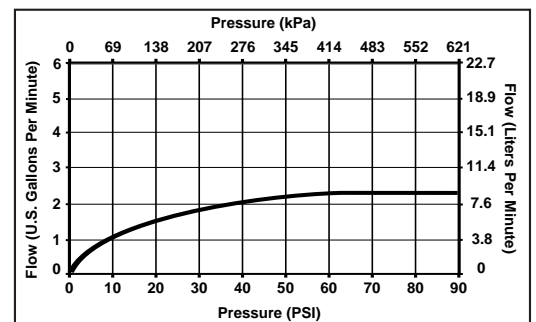
- Single handle kitchen faucets for exposed mounting on single and three hole sinks.
- Solid brass fabricated body.
- Centermount or 8" (203 mm) centers with optional included 10 3/4" (273 mm) long escutcheon.
- 8" (203 mm) high, 9" (229 mm) long spout [includes 6 1/4" (159 mm) long pull-out spray] nestled in all brass hub assembly, swings 120°.
- Spout is connected to valve body with a 60" (1524 mm) long hose that extends to 38" (965 mm) usable length.
- Pull-out spout operates in an aerated or spray mode via an easy side-to-side push lever.
- Lever or loop handle shall return to neutral position when faucet is turned off.
- Control mechanism shall be of the rotating stainless steel ball type with replaceable non-metallic seats operating in stainless steel lined sockets.
- Red/blue graphics on handle button to indicate hot/cold temperature.
- Quick Snap® hose installation.
- Touch-Clean® sprayhead.
- 3/8" O.D. straight, staggered copper supply tubes - 6 11/16" (170 mm) and 8 3/32" (206 mm) long.
- Standard with 1/2"-14 NPSM adapters.
- Integral double check valves in spout.

### WARRANTY

- Lifetime Faucet and Finish Limited Warranty to the original consumer purchaser to be free from defects in material and workmanship.
- 5 Year Limited Warranty for usage in all industrial, commercial and business applications.

### COMPLIES WITH:

- ASME A112.18.1 / CSA B125.1
- Indicates ADA compliance to ICC/ANSI A117.1
- IAPMO Listed
- CSA Certified



# DELTA FAUCET COMPANY

Indianapolis, Indiana 46280  
A Division of Masco Corporation of Indiana  
© 2006 Masco Corporation of Indiana

Delta reserves the right (1) to make changes in specifications and materials, and (2) to change or discontinue models, both without notice or obligation. Dimensions are for reference only. See current full-line price book for finish options and product availability.

DSP-K-470 Rev. D