



# SPECIFICATIONS

## TWO HANDLE THERMOSTATIC SHOWER VALVE WITH TRIM

### Description

- 1/2" combination IPS/Copper sweat on all three ports
- 3-port shower valve with stops
- With temperature limit adjustment

### Flow & Valving

- See Chart

### Standards

- ASME A112.18.1
- CSA B125
- ASSE 1016
- Listed IAPMO/UPC
- Energy policy act of 1992
- ADA Accessibility Guidelines for Buildings and Facilities - 4.27.4 Controls and Mechanisms

### Warranty

Danze products are covered by a manufacturer's limited "lifetime" warranty for manufacturing defects.



D560158  
PARMA™



### Available Colors & Finish

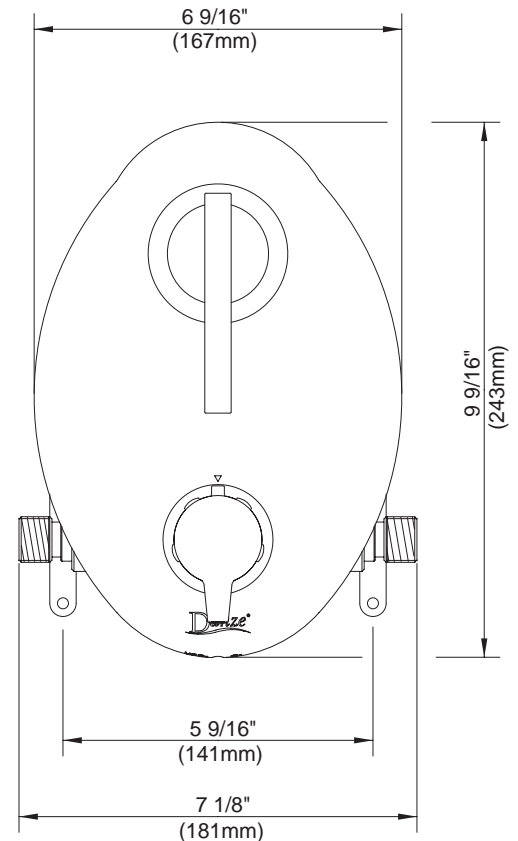
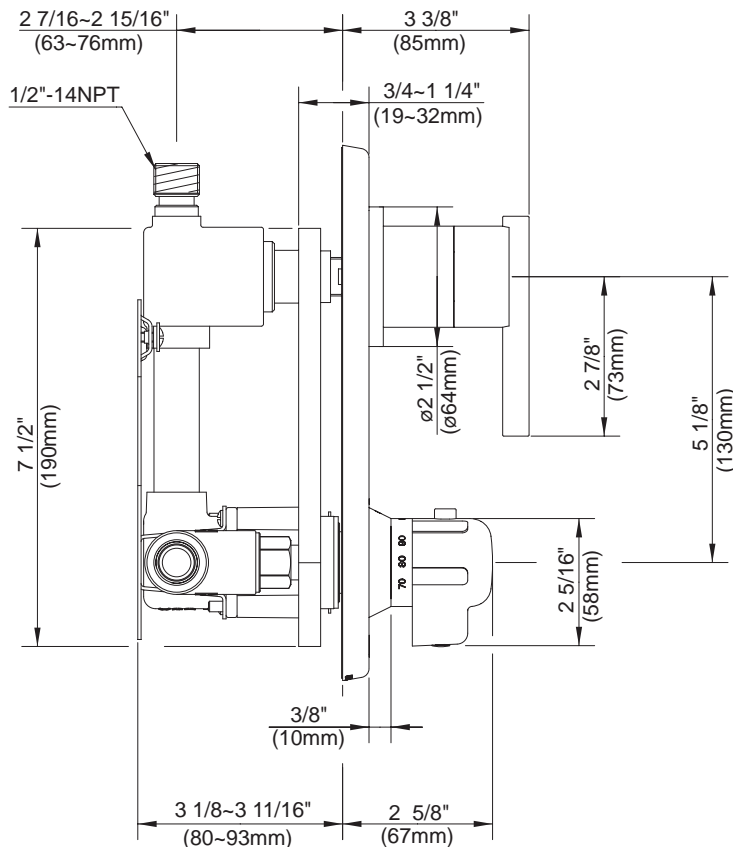
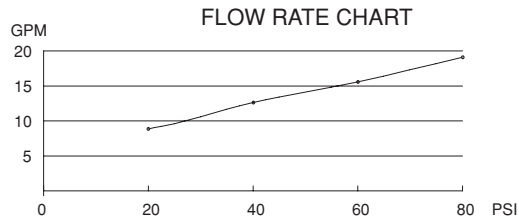
- Chrome
- Brushed Nickel (BN)

### Trim Kit :

(for use w/thermostatic shower valve)  
D560158T

### Special Packaging

- Model numbers for trim kit items include the suffix "T".



Specific Features: \_\_\_\_\_ Submitted Model No.: \_\_\_\_\_

SD560158/12-07.01