



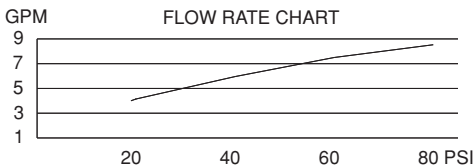
SPECIFICATIONS

SINGLE HANDLE PRESSURE BALANCE TUB & SHOWER FAUCET

Description

- 6" three function traditional style showerhead
- All brass 6" shower arm
- Combination 1/2" copper sweat/IPS 4-port hook up
- Diverter on valve (Tub & Shower Only)

Flow & Valving



Standards

- ASME A112.18.1
- CSA B125
- ASSE 1016
- Listed IAPMO/UPC
- Energy policy act of 1992
- ADA Accessibility Guidelines for Buildings and Facilities - 4.27.4 Controls and Mechanisms

Warranty

Danze products are covered by a manufacturer's limited "lifetime" warranty for manufacturing defects.



D500045 (shown)
SOUTH SEA™

With Diverter & Stops:
D500045 (Tub/Shower)

With Stops:
D500545 (Shower only)

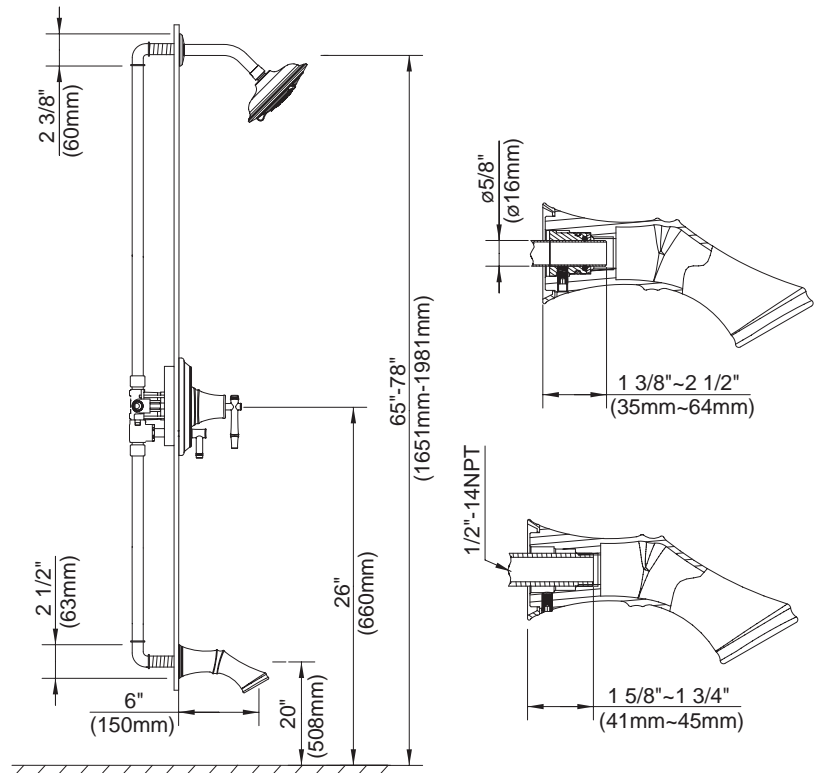
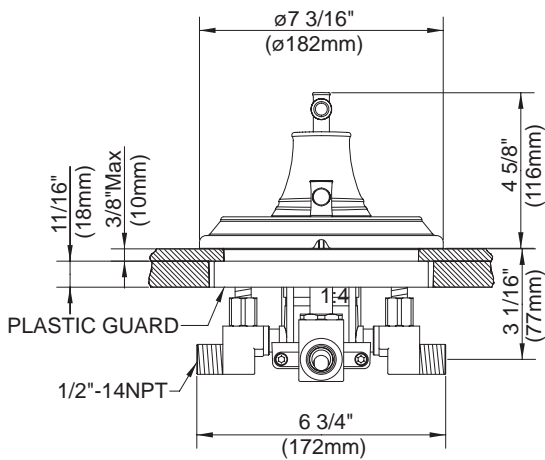
Available Colors & Finish

- Brushed Nickel (BN)
- Distressed Bronze (RBD)

Trim Kits: (for use w/pressure balance valves)
D500045T (Tub/Shower trim)
D500545T (Shower only trim)
D500445T (Valve only escutcheon trim w/diverter)
D510445T (Valve only escutcheon trim w/o diverter)

Special Packaging

- This product also available with valve packaged separate from trim.
- Tub & Shower and Valve Only Escutcheon w/Diverter Trim Kit - use w/valve: D113000BT (w/diverter & stops)
- Shower Only & Valve Only Escutcheon w/o Diverter Trim Kit - use w/valve: D112000BT (w/stops) or D115000BT (w/o stops)
- Pressure Balance Valves are combination 1/2" copper sweat, 1/2" NPT threaded connectors for all ports.



Specific Features: _____ Submitted Model No.: _____

SD500045/09-07.01

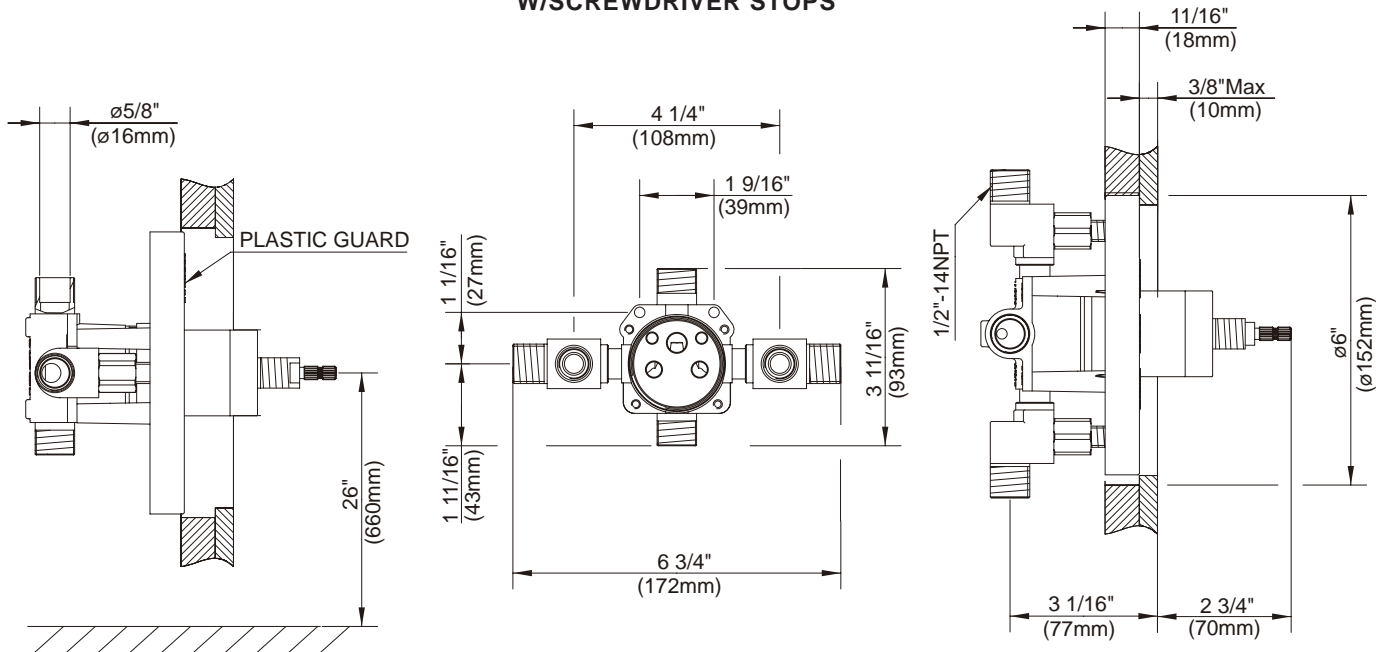


SPECIFICATIONS

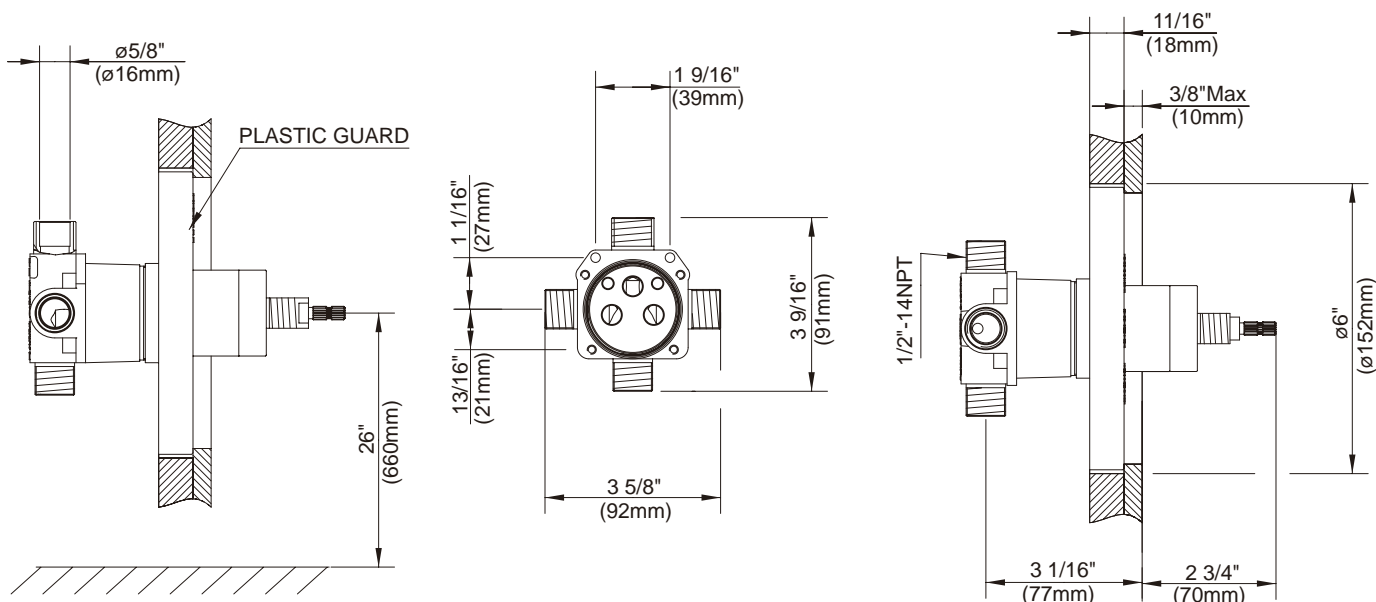
SINGLE HANDLE PRESSURE BALANCE TUB & SHOWER VALVES

Critical Dimensions : Rough-in valve D112000BT (w/stops) & D115000BT (w/o stops)

W/SCREWDRIVER STOPS



W/O STOPS



Specific Features: _____ Submitted Model No.: _____

SD500045/09-07.01